

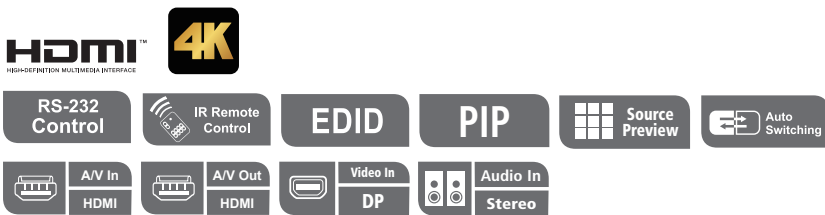
9 x 2 4K Presentation Matrix Switch

VP1920

Empowering Effortless Presentations

The ATEN VP1920 is a 3-in-1 presentation switch that integrates a video matrix switch, an audio processor, and analog-to-digital converter functions. With nine multi-format inputs to two HDMI 4K outputs, it is designed to boost the efficiency and impact of professional presentations.

With streamlined control from front panel pushbuttons, IR remote controller, OSD, and RS-232, the VP1920 reduces not only system device count, but also lower operation complexity. It is suitable for all small-to-medium sized corporate and education presentation environments, such as meeting rooms, classrooms, training rooms, or any other presentation setting, such as in exhibition centers or hotels.



Front view



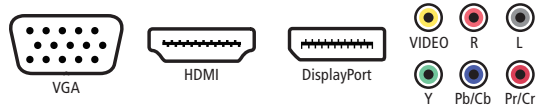
Rear view



Highlights

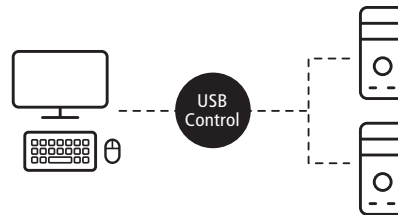
Multi-format AV Fast Switching

The fast switching among 6 HDMI and 3 combo inputs (HDMI / VGA, HDMI / DisplayPort, HDMI / Component / Composite) to 2 HDMI outputs and support of Coaxial, Toslink, Stereo audio outputs enable flexible interface / format conversion.



USB Control Routing for PCs and Touch Panels

The USB ports allow keyboard / mouse and touch panel controls over the computers connected to the VP1920. The control focus for keyboard / mouse and USB peripherals can be individually switched to a designated computer source.



Selectable Matrix, Mirror and PiP* Modes

Three different display modes meet the needs of various events or presentation styles.



Source Preview*

Quickly identify and switch to the target content users are looking for. No more guessing or memorizing which port connects to which content source.



*Note: Supports up to 1080p.

Features

Multi-format AV Switching with Simplicity

- Supports multi-format 9 Inputs and 2 HDMI outputs:
 - 3 combo inputs (HDMI / VGA, HDMI / DisplayPort, HDMI / AV / YPbPr)
 - 3 HDMI inputs
 - 2 HDMI outputs
- VGA port supports universal analog input formats (RGBHV / RGBs / YCbCr / YPbPr)
- Embed / De-embed Audio – HDMI / DisplayPort audio signals can be extracted to digital / analog audio signals; stereo / composite / component audio can be embedded to digital audio signals

High-definition Video with Optimum Output

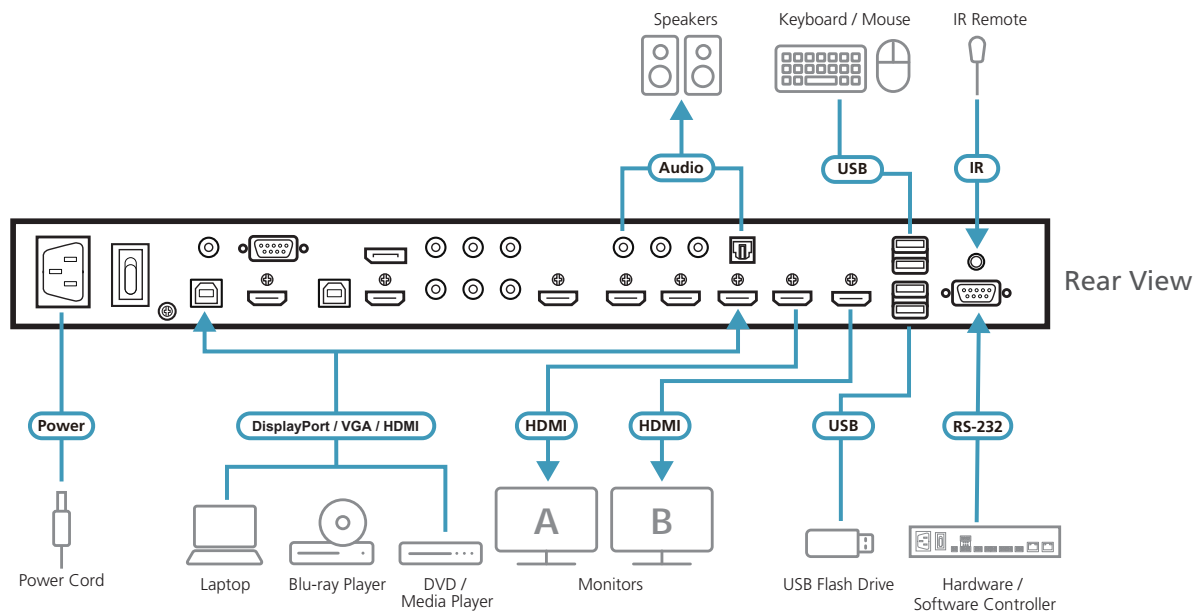
- Superior video quality up to 4096 x 2160 @ 60 Hz (4 : 2 : 0) / 4096 x 2160 @ 30 Hz (4 : 4 : 4) (HDMI / DP)
- EDID Expert™ - automatically selects the optimum EDID settings for smooth power-up, high-quality display, and the best video resolution across connected devices
- HDMI (3D, Deep Color, 4K); HDCP 1.4 compliant

Versatile, Streamlined Operation

- Multiple control methods via front-panel pushbuttons, RS-232, OSD, and IR remote
- Source preview – quickly identifies and switches to the target content
- Selectable display modes (Matrix, Mirror, or PiP) for different presentation demands
- Auto switching – automatically detects and switches to a new source as soon as it is connected for time-saving and convenience
- Supports stand-by mode for power saving and fast waking up

Extended Flexibility for USB Peripherals

- USB ports enable keyboard / mouse or touch panel control over the connected computers
- Control focus for keyboard / mouse and USB peripherals can be individually switched to a designated computer source



Specifications

VP1920	
Video Input	
Interfaces	6 x HDMI Type-A female (Black); 1 x DP Female (Black); 1 x HDB-15 Female (Blue); 1 x Component (3 x RCA Female, Blue / Green / Red); 1 x Composite (1 x RCA Female, Yellow)
Video Output	
Interfaces	2 x HDMI Type-A Female (Black)
Max. Distance	Up to 15 m
Video	
Max. Resolution	HDMI : Up to 4096 x 2160 / 3840 x 2160 @ 60 Hz (4 : 2 : 0) ; 4096 x 2160 / 3840 x 2160 @ 30 Hz (4 : 4 : 4) DP : Up to 4096 x 2160 / 3840 x 2160 @ 30 Hz (4 : 4 : 4) VGA / Analog : Up to 1920 x 1200 @ 60 Hz
Compliance	HDMI (3D, Deep Color, 4K) HDMI / DP: HDCP 1.4 Compatible; Consumer Electronics Control (CEC)
Audio	
Input	Stereo Audio: 1 x Mini Stereo Jack Female (Green) Composite / Component Audio: 2 x RCA Female (Red / White)
Output	Optical Audio: 1 x Toslink (Black); Coaxial Audio: 1 x RCA Female (Orange) Stereo Audio: 2 x RCA Female (White / Red)
Connectors	
Computers	2 x USB Type-B Female (White)
Console Ports	Keyboard / Mouse: 2 x USB Type-A Female (White) Device: 2 x USB Type-A Female (White)
Power	1 x 3-prong AC Socket
Control	
RS-232	1 x DB 9 Female (Black)
IR	1 x Mini Stereo Jack Female (Black)
Switches	
Power	1 x Pushbutton; 1 x Rocker
Video Input Port Selection	6 x Pushbutton
Video Output Port Selection	2 x Pushbutton
Selection	Mode: 1 x Pushbutton; Menu: 1 x Pushbutton; Up (Unlock): 1 x Pushbutton Esc: 1 x Pushbutton; Audio: 1 x Pushbutton; Preview: 1 x Pushbutton Down: 1 x Pushbutton; Enter: 1 x Pushbutton
LEDs	
Video	Source 1: HDMI / VGA: 2 (Green); Source 2: HDMI / DP: 2 (Green); Source 3: HDMI / AV / YPbPr: 2 (Green)
USB Link	Keyboard / Mouse: 2 (Amber); Device: 2 (Amber)
EDID Settings	
EDID Mode: Default / Display A / Remix	
Power	
Maximum Input Power Rating	100 – 240 VAC; 50 – 60 Hz; 1.0 A
Power Consumption	
AC110V:7.3W; AC220V:7.3W	
Environmental	
Operating Temperature	0 – 40 °C
Storage Temperature	-20 – 60 °C
Humidity	0 – 80% RH, Non-Condensing
Physical Properties	
Housing	Metal
Weight	2.36 kg
Dimensions (L x W x H)	43.72 x 16.36 x 4.40 cm

ATEN International Co., Ltd.

3F., No.125, Sec. 2, Datung Rd., Sijhih District., New Taipei City 221, Taiwan
Phone: 886-2-8692-6789 Fax: 886-2-8692-6767
www.aten.com E-mail: marketing@aten.com

Product information is subject to change without prior notice.

Released: 07/2024 V4.0

© Copyright 2024 ATEN® International Co. Ltd.
ATEN and the ATEN logo are registered trademarks of ATEN International Co., Ltd.
All rights reserved. All other trademarks are the property of their respective owners.
The terms HDMI, HDMI High-Definition Multimedia Interface, and the HDMI Logo are trademarks or registered trademarks of HDMI Licensing Administrator, Inc.

