

FULL RANGE

SERIES INTRODUCTION

PRODUCTS

TR SERIES TR108, TR110, TR112, TR115	P26
TH SERIES TH912, TH915, TH925	P28
U SERIES U04, U6, U8, U26, U10S	P30
CI SERIES CI4, CI6, CI8	P33

APPLICATION

Theatres, Auditoriums, Conference Rooms, Multi-function Halls, The Main Sound Reinforcement Of Clubs, Disco Auxiliary Speakers, Bars And KTV Rooms, Stage Monitor Of Touring Performance

- LAX has a wealth of point sound source speaker systems, and has designed multiple high-quality products for different use scenarios, which have been tested by various projects.
- The TR series is the latest engineering point sound source speaker for LAX, with complete dimensions and excellent sound quality. Combined with its compact volume, it is suitable for various indoor hanging scenes.
- Interior and exterior scenes: conference center, concert hall, bar, auditorium, etc.
- TH series is an engineering product that has undergone multiple tests and has been used in various sound reinforcement sites for many years.
- The CC and U series are LAX speaker systems designed specifically for small sound reinforcement applications, especially suitable for meeting rooms and close range sound reinforcement applications.
- The CI series is a ceiling speaker series with sizes of 4", 6", and 8", which is easy to hide and install



TR SERIES

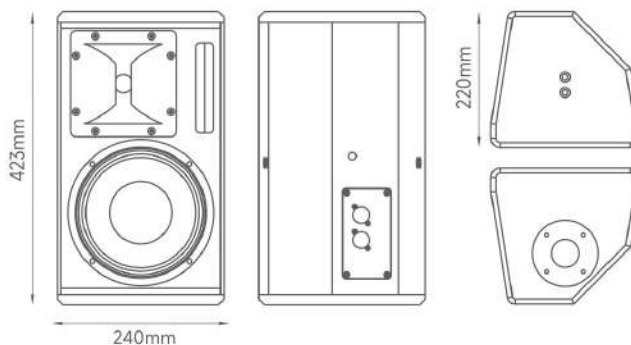
FEATURES

- TR series is a compressed high-frequency driver, with a trapezoidal built-in two-frequency single-drive speaker system, including sizes of 8 inches, 10 inches, 12 inches and 15 inches.
- The box is equipped with high-strength lifting points, which can be hung vertically and horizontally, placed on the side of the stage and at the bottom of the speaker.
- The bottom is equipped with bracket bottom bracket.
- The system uses selected high-quality frequency divider, with compact and firm box structure and high intensity speaker network.
- The box is sprayed with high-strength wear-resistant black spot paint, with a unique note mesh design.

TR108

SPECIFICATIONS

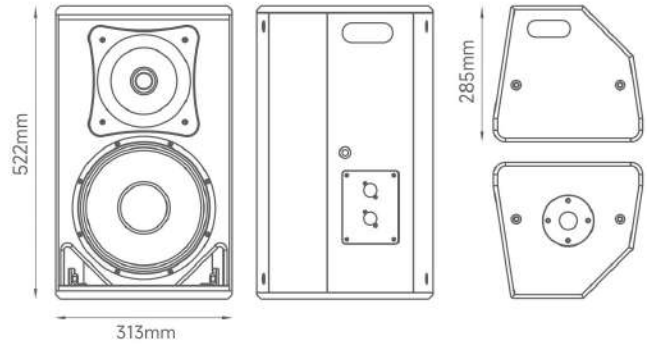
Frequency Response	75Hz-20KHz
Dispersion (H)	90° x 60°
Sensitivitsy	95dB
SPL	118dB,124dB(Peak)
Rated power (AES)	200W
Nominated Impedance	8Ω
Unit configuration	1 x 8-inch bass unit 1 x tweeter
Connection	2 x SPEAKON NL4MP,1+1-
Box configuration	7 x M10 lifting points
Dimensions (W x D x H)	240 x 220 x 423 mm
Net Weight	12kg



TR110

SPECIFICATIONS

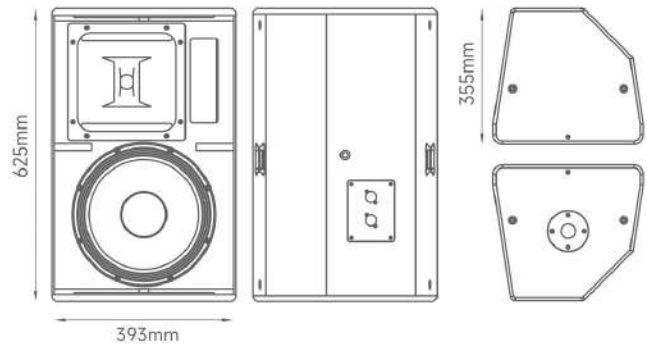
Frequency Response	67Hz-20KHz
Dispersion (H)	80° x 80°
Sensitivitsy	96dB
SPL	118dB,124dB(Peak)
Rated power (AES)	200W
Nominated Impedance	8Ω
Unit configuration	1 x 10-inch bass unit 1 x tweeter
Connection	2 x SPEAKON NL4MP,1+1-
Box configuration	9 x M10 lifting points
Dimensions (W x D x H)	313 x 285 x 522 mm
Net Weight	16kg



TR112

SPECIFICATIONS

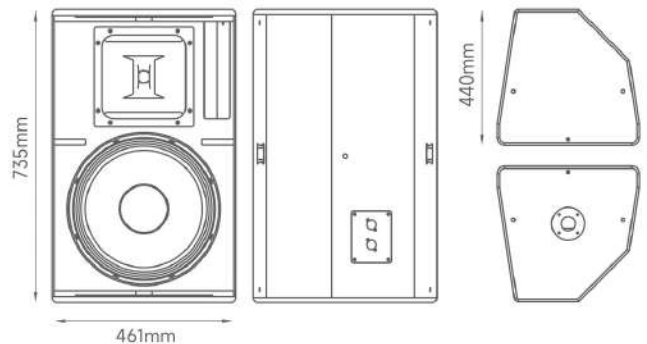
Frequency Response	55Hz-20KHz
Dispersion (H)	80° x 50°
Sensitivitsy	97dB
SPL	121dB,127dB(Peak)
Rated power (AES)	300W
Nominated Impedance	8Ω
Unit configuration	1 x 12-inch bass unit 1 x tweeter
Connection	2 x SPEAKON NL4MP,1+1-
Box configuration	9 x M10 lifting points
Dimensions (W x D x H)	393 x 355 x 625 mm
Net Weight	25kg



TR115

SPECIFICATIONS

Frequency Response	56Hz-20KHz
Dispersion (H)	80° x 50°
Sensitivitsy	95dB
SPL	118dB,124dB(Peak)
Rated power (AES)	400W
Nominated Impedance	8Ω
Unit configuration	1 x 15-inch bass unit 1 x tweeter
Connection	2 x SPEAKON NL4MP,1+1-
Box configuration	9 x M10 lifting points
Dimensions (W x D x H)	461 x 440 x 735 mm
Net Weight	32kg





TH SERIES

TH912 FEATURES

- A high quality titanium compression driver with a 1.4" horn throat and a 75 mm aluminium voice coil.
- The 12" low frequency driver is a high output driver featuring a 75 mm (3") copper voice coil and can operate at high SPL.
- The LF driver is designed to provide very good BL and punch and features an excellent linear response down to 50 Hz with very low distortion characteristics.
- Precision-made 18 mm and 15 mm Baltic birch plywood cabinet (up to 11-ply) is finished with durable paint and wedge-bonded for additional strength and rigidity.
- Reinforced V-Slot grille reduces internal vibration noise.
- Designed for fixed-installation and portable applications.
- Recommended for use with S118B WS118B and AT218B Subwoofers.

TH915 FEATURES

- A high quality titanium compression driver with a 1.4" horn throat and a 75 mm aluminium voice coil.
- The 15" low frequency driver is a high output driver featuring a 75 mm (3") copper voice coil and can operate at high SPL.
- The LF driver is designed to provide very good BL and punch and features an excellent linear response down to 50 Hz with very low distortion characteristics.
- Precision-made 24 mm 18 mm and 15 mm Baltic birch plywood cabinet (up to 15-ply) is finished with durable paint and wedge-bonded for additional strength and rigidity.
- Reinforced V-Slot grille reduces internal vibration noise.
- Designed for high-end fixed-installation and portable applications.
- Recommended for use with S118B WS118B AT218B and T18B-V2 Subwoofers.

TH925 FEATURES

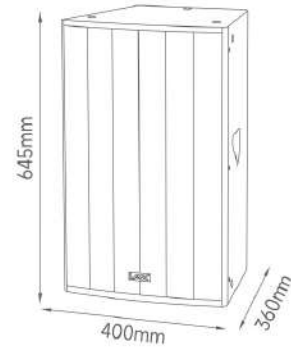
- A high quality titanium compression driver with a 1.4" horn throat and a 75 mm aluminium voice coil.
- The 15" low frequency drivers are high output drivers featuring a 75 mm (3") copper voice coil and can operate at very high SPL.
- The LF drivers are designed to provide very good BL and punch and features an excellent linear response down to 35 Hz with very low distortion characteristics.
- Precision-made 24 mm 18 mm and 15 mm Baltic birch plywood cabinet (up to 15-ply) is finished with durable paint and wedge-bonded for additional strength and rigidity.
- Reinforced V-Slot grille reduces internal vibration noise.
- Designed for high-end fixed-installation and portable applications.
- Recommended for use with AT218B Subwoofers.

ACCESSORIES					
Touring transportation	Rain cover	Installation hanging bracket	Hanging	Cable	Amplifier
Customized model name	Customized model name	Multi directional bracket	M10 eyebolt	2 x 2.5mm (1m)	MPA4 Series
THXXFLC (2in1)	TH900 rain cover (1 in 1)	Triangle bracket		2 x 2.5mm (20m)	R900 Series

TH912 Single 12" two-way full range speaker

SPECIFICATIONS

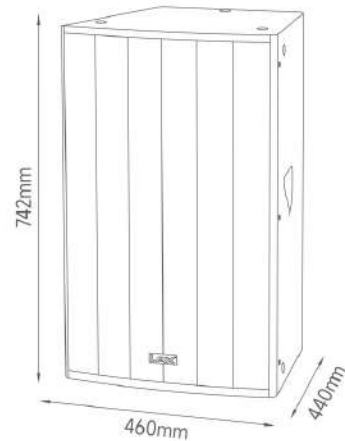
Frequency Response	40 Hz - 20 kHz
Dispersion (H)	60° x 40° Rotatable
Sensitivity	100 dB
SPL	132 dB
Power Rating (AES)	800 W
Nominal Impedance	8 ohm
HF Driver	1 x 1.4" Ferrite / 75 mm Voice Coil
LF Driver	1 x 12" Ferrite / 75 mm Voice Coil
Enclosure	Phase Inverted
Crossover	1.3 kHz
Connectors	NEUTRIK NL4MP, Full: 1 + 1-
Dimensions (W x D x H)	400 x 360 x 645 mm
Net Weight	26 kg



TH915 Single 15" two-way full range speaker

SPECIFICATIONS

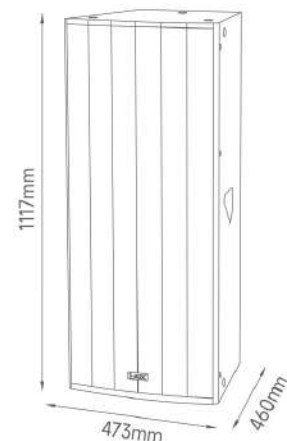
Frequency Response	40 Hz - 18 kHz (±3 dB) / 35 Hz - 20 kHz (-10 dB)
Dispersion (H)	60° x 40° Rotatable
Sensitivity	102 dB
SPL	128 dB (Continuous) / 134 dB (Peak)
Power Rating (AES)	450 W
Nominal Impedance	4 ohm
HF Driver	1 x 1.4" Ferrite / 75 mm Voice Coil
LF Driver	2 x 15" Ferrite / 75 mm Voice Coil
Enclosure	Phase Inverted
Fittings	M10 Flying Points x 12 Pole Mount Socket
Crossover	1.3 kHz
Connectors	NEUTRIK NL4MP x 2, Full: 1 + 1-
Dimensions (W x D x H)	460 x 440 x 742 mm
Net Weight	30 kg



TH925 Dual 15" two-way full range speaker

SPECIFICATIONS

Frequency Response	35 Hz - 18 kHz (±3 dB) / 25 Hz - 20 kHz (-10 dB)
Dispersion (H)	60° x 40° Rotatable
Sensitivity	104 dB
SPL	133 dB (Continuous) / 139 dB (Peak)
Power Rating (AES)	900 W
Nominal Impedance	4 ohm
HF Driver	1 x 1.4" Ferrite / 75 mm Voice Coil
LF Driver	2 x 15" Ferrite / 75 mm Voice Coil
Enclosure	Phase Inverted
Fittings	M10 Flying Points x 12 Pole Mount Socket
Crossover	1.3 kHz
Connectors	NEUTRIK NL4MP x 2, Full: 1 + 1-
Dimensions (W x D x H)	473 x 460 x 1117 mm
Net Weight	50 kg





U SERIES

U04 FEATURES

The U04 is a compact full-range speaker with a 4.5" 25mm voice coil ferrite paper cone unit with a frequency response of 130-20KHz and a maximum sound pressure level of 115dB.

U6 FEATURES

U6 is a single 6-inch full-range speaker with two-way design, small size and large power, frequency response of 85Hz-20 kHz, maximum sound pressure level 122dB. Multi-angle cabinet design, can do small stage anti-hearing. The whole box uses four M10 hanging points, and Equipped with bottom bracket, can use multi-directional movable wall bracket.

U8 FEATURES

U8 is a high-performance single 8-inch two-way full-range speaker with low distortion, high definition, large sound pressure level (122dB) and other features, high-Q cabinet design low frequency dive to 75Hz. (122dB) and other characteristics, high Q value cabinet design low frequency dive to 75Hz. multi-angle cabinet design, can do small Stage anti-hearing. The whole box with 4 M10 hanging points, and with the bottom bracket, you can use multi-directional movable wall bracket.

U26 FEATURES

The U26 is a dual 6" dumbbell-style full-range speaker with a 90° x 60° (rotatable) horn mounted in the center. The U26 is a dual 6" dumbbell full-range speaker with a 90° x 60° (rotatable) horn in the middle, compressed tweeter with a sound pressure level of 128dB and a frequency response of 85Hz-20kHz (-10dB). Multi-angle cabinet design. Can do small stage counter-hearing. Four M10 suspension points are used throughout the cabinet, and a bottom bracket is provided to allow the use of multi-directional movable wall brackets.

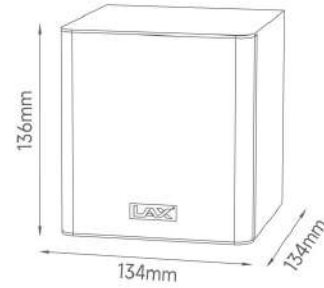
U10S FEATURES

The U10S is a single 10" compact subwoofer that achieves a frequency response down to 25Hz and still has a high sensitivity of 94dB and a power rating of up to 300W. The U10S also features a large inverted tube design that reduces harmonic distortion and turbulence in the low frequency range. The U10S also features a large inverted tube design to reduce harmonic distortion and airflow in the low frequency range.

U04 Single 4.5" full range speaker

SPECIFICATIONS

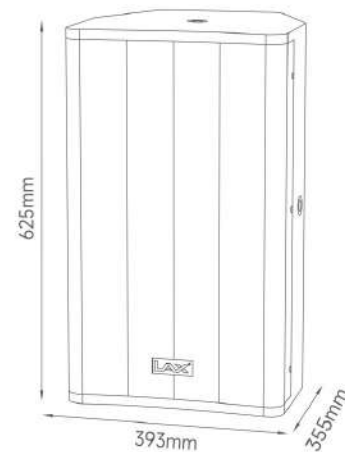
Frequency Response	140 Hz - 20 kHz
Dispersion (H)	60° x 60°
Sensitivity	90 dB
SPL	107 dB (continuous) / 113 dB (peak)
Power Rating (AES)	50 W
Nominal Impedance	8Ω
Driver	4.5" full range driver / 25mm voice coil
Enclosure	Sealed
Fittings	2 x M6 Flying points
Connectors	Spring Terminals
Dimensions (W x D x H)	134 x 134 x 136 mm
Net Weight	1.5 kg



U6 Single 6" full range speaker

SPECIFICATIONS

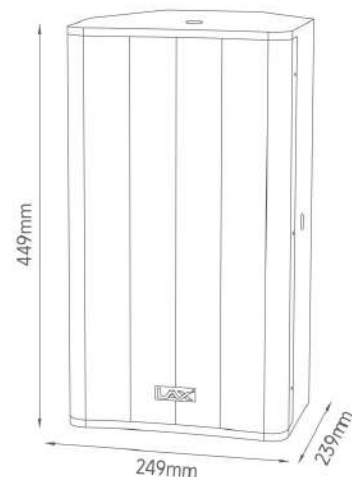
Frequency Response	85Hz-20 kHz
Dispersion (H)	90° x 60°
Sensitivity	93dB
SPL	122dB
Power Rating (AES)	400W
Nominal Impedance	8Ω
Driver	1 x 6.5, 1 x 44mm
Fittings	M10 Flying points x 4, Pole Mount Socket
Connectors	NEUTRIK@NL4MP x 2, Full: 1+1-
Dimensions (W x D x H)	393 x 355 x 625 mm
Net Weight	25kg



U8 Single 8" full range speaker

SPECIFICATIONS

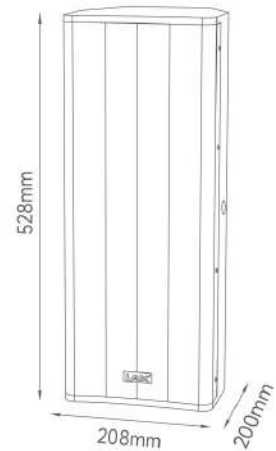
Frequency Response	75 Hz - 16 kHz
Dispersion (H)	70° x 70°
Sensitivity	92 dB
SPL	116 dB (continuous) / 122 (peak)
Power Rating (AES)	250 W
Nominal Impedance	8Ω
HF Driver	1 x 1" Ferrite / 44 mm voice coil
LF Driver	1 x 8" Ferrite / 60 mm voice coil
Fittings	M10 Flying points x 4, Pole Mount Socket
Connectors	NEUTRIK@NL4MP x 2, Full: 1+1-
Dimensions (W x D x H)	249 x 239 x 449 mm
Net Weight	14 kg



U26 Double 6" full range speaker

SPECIFICATIONS

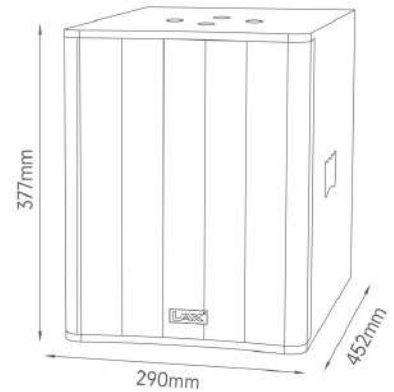
Frequency Response	100 Hz - 18 kHz (+-3 dB) / 85 Hz - 20 kHz (-10 dB)
Dispersion (H)	90° x 60° (Rotatable)
Sensitivitsy	96 dB
SPL	122 dB (continuous) / 128 (peak)
Power Rating (AES)	400 W
Nominal Impedance	4Ω
HF Driver	1 x Ferrite / 44 mm voice coil
LF Driver	1 x 6.5" Ferrite
Fittings	M10 Flying points x 4, Pole Mount Socket
Connectors	NEUTRIK@NL4MP x 2, Full: 1+1-
Dimensions (W x D x H)	208 x 200 x 528 mm
Net Weight	14 kg



U10S Single 10" subwoofer

SPECIFICATIONS

Frequency Response	30 Hz - 100 kHz (+-3 dB) / 25 Hz - 120 Hz (-10 dB)
Sensitivitsy	94 dB
SPL	11 dB (continuous) / 125 dB (peak)
Power Rating (AES)	300 W
Nominal Impedance	8Ω
LF Driver	1 x 10" Ferrite / 50 mm voice coil
Fittings	M10 Flying points x 4
Connectors	Binding Post
Dimensions (W x D x H)	290 x 452 x 377 mm
Net Weight	14 kg



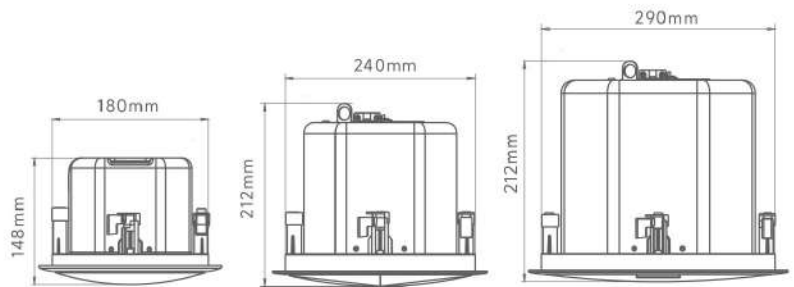


CI SERIES

High sound quality Ceiling speaker

FEATURES

According to the market requirements, LAX develops coaxial ceiling speaker of the brand-new CI Series. Voltage Input and electric resistance are optional, Voltage Input(100V and 70V) and electric resistance (16ohms) are available for different occasions. Installation is flexible with only hole size of the ceiling should be considered.



SPECIFICATIONS

Model	CI4	CI6	CI8
Frequency response	97Hz~20kHz	90Hz~19kHz	60Hz~20kHz
Sensitivity (1m/1W)	89dB	92dB	91dB
Power (AES)	40W	60W	80W
Low frequency	4 inches	6.5 inches	8 inches
High frequency	20-core treble	25-core treble	25-core treble
Opening diameter	180mm	240mm	290mm
Opening depth	191mm	188mm	271mm
Net weight	2.09kg	3.45kg	5.4kg

Input method

CI4	100V(20W@500 Ohms 10W@1000 Ohms 5W@2000 Ohms 2.5W@4000 Ohms)
	70V(20W@250 Ohms 10W@500 Ohms 5W@1000 ohms, 25W@2000 Ohms 1.25W@4000 Ohms)
	Bypass (16 Ohms)
CI6	100V (60W@167 Ohms 30W@333 Ohms 15W@667 Ohms 7.5W@1333 Ohms)
	70V (60W@83 Ohms, 30W@167 Ohms 15W@333 Ohms, 75W@667 Ohms 3.75W@1333 Ohms)
	Bypass (16 Ohms)
CI8	100V (80W@125 Ohms 40W@250 Ohms 20W@500 Ohms 10W@1000 Ohms)
	70V (80W@67 Ohms, 40W@125 Ohms 20W@250 Ohms, 10W@500 Ohms 5W@1000 Ohms)
	Bypass (16 Ohms)