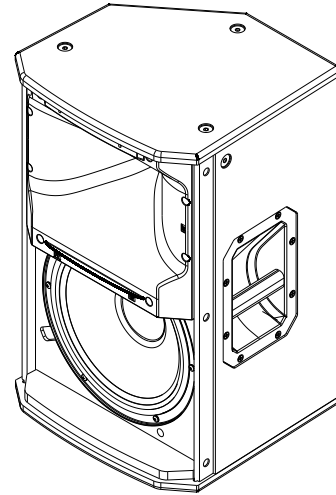


# EKX-12 Passive 12" 2-Way Speaker

- 1400 W (peak), 131 dB SPL utilizing high-sensitivity transducers designed and engineered by EV.
- EV-patented Signal Synchronized Transducers (SST) waveguide design provides precise and consistent coverage, minimal distortion, and maximized acoustical loading.
- Lightweight, compact 15-mm wood enclosure with internal bracing and durable EVCoat finish.
- Eight (8) M10 threaded mounting points, aluminum pole mounts, and all-metal handles.
- 90° x 60° pattern coverage for best coverage on mid-size stages and 40° monitor angle with rubber feet.



The EKX series combines legendary EV sound quality and reliability with the latest technology – all in a compact package suitable for a wide range of sound reinforcement scenarios, including musicians/DJs and live/club/installed sound applications. The EKX series features eight models (four powered and four passive), including 12-inch and 15-inch two-way models and 15-inch and 18-inch subwoofers. EV-engineered components, Signal Synchronized Transducers (SST) waveguide design provides precise coverage and superior sound quality at high SPLs. EV's award-winning industrial design – with robust wood enclosures and durable EVCoat finish – ensures that EKX speakers look as great as they sound. EKX-12 delivers up to 131 dB SPL utilizing high-sensitivity transducers designed and engineered by EV: 12-inch EVS-12M woofer coupled with a DH-1M 1-inch titanium compression driver. EKX passive models are ideal for portable and installed applications, with lightweight and compact 15-mm wood enclosures with internal bracing, durable EVCoat finish, eight M10 threaded mounting points, aluminum pole mounts, and all-metal handles.

## Technical specifications

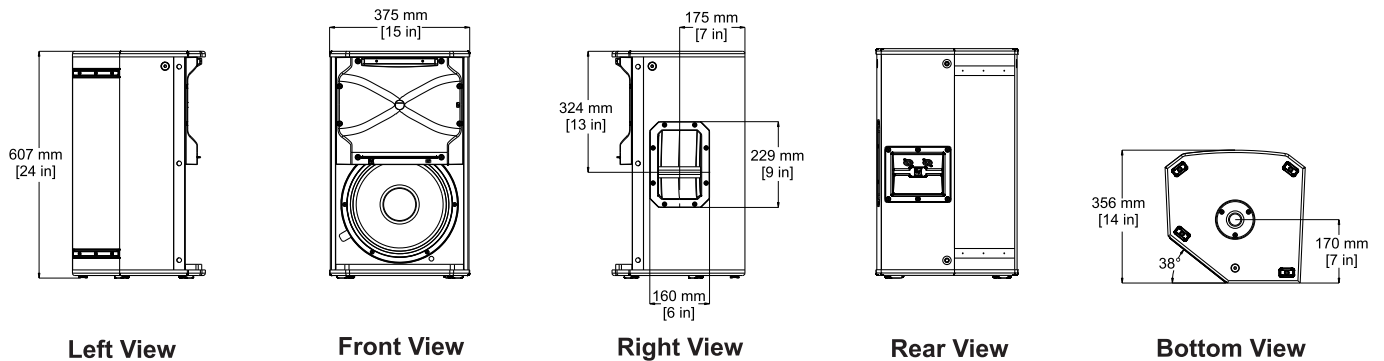
Frequency response (-3 dB): 82 Hz - 18 kHz <sup>1</sup>
Frequency range (-10 dB): 55 Hz - 20 kHz <sup>1</sup>

Axial sensitivity: 95 dB <sup>1</sup>
Maximum SPL: 131 dB <sup>2</sup>
Recommended high-pass freq.: 55 Hz
Coverage (H x V): 90° x 60°
Power handling: 350 W continuous, 1400 W peak
LF transducer: EVS-12M 300 mm (12 in)
HF transducer: DH-1M 1 in titanium compression driver
Crossover frequency: 1.6 kHz
Nominal impedance: 8 Ω
Minimum impedance: 7.5 Ω
Connectors: Dual NL4
Enclosure: 15 mm plywood with EVCoat
Grille: 18 AWG steel with powdercoat
Suspension: (8) M10 threaded mounting points
Dimensions (H x W x D): 607 mm x 375 mm x 356 mm (24 in x 15 in x 14 in)
Net weight: 17.4 kg (38.3 lb)
Shipping weight: 21.4 kg (47.2 lb)

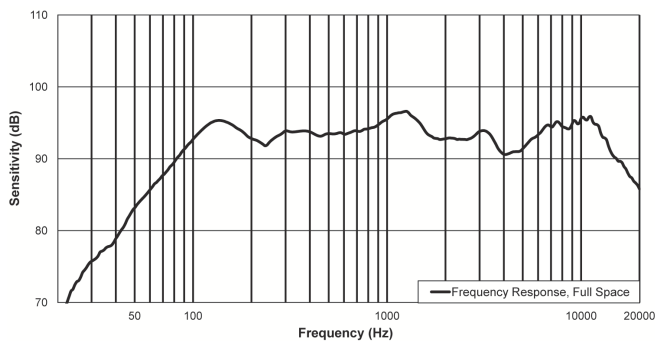
<sup>1</sup> Full-space measurement.

<sup>2</sup> Maximum SPL is measured at 1 m using broadband pink noise at rated peak power rating.

### Dimensions



### Frequency response



#### Notice

This Electro-Voice loudspeaker should be suspended overhead only in accordance with the procedures and limitations specified in the User's Manual. This system should be suspended with certified rigging hardware by an authorized rigging professional and in compliance with local, state, and federal overhead suspension ordinances.

## Ordering information

#### EKX-12 12" 2-way passive speaker

Passive 12-inch 2-way loudspeaker, black  
Order number **EKX-12 | F.01U.303.364**

#### EKX-12-AP 12" 2-way passive speaker AP

Passive 12-inch 2-way loudspeaker Asia-Pacific regions, black  
Order number **EKX-12-AP | F.01U.307.170**

### Accessories

#### EKX-BRKT12 Wall mount bracket for EKX-12/12P, black

Wall mount bracket for EKX-12/12P, black  
Order number **EKX-BRKT12 | F.01U.303.395**

#### EKX-TCA Truss adaptor for EKX12/15 F/R

Truss adapter for EKX-12/12P or EKX-15/15P, black  
Order number **EKX-TCA | F.01U.307.178**

#### EKX-12-CVR Padded cover for EKX-12 and 12P, EV logo

Padded cover for EKX-12/12P, EV logo, black  
Order number **EKX-12-CVR | F.01U.303.391**

#### EBK-M10-3PACK Forged M10 3 pack eyebolt kit

Forged M10 eyebolt kit, set of 3  
Order number **EBK-M10-3PACK | F.01U.301.455**

#### TSS-1 EV Tripod stand, single tripod stand

EV tripod stand, single tripod stand  
Order number **TSS-1 | F.01U.144.916**

#### TSP-1 EV Tripod stand package

Set of 2 speaker stands and carry bag, black  
Order number **TSP-1 | F.01U.117.867**

#### Represented by:

**Germany:**  
Bosch Sicherheitssysteme GmbH  
Robert-Bosch-Ring 5  
85630 Grasbrunn  
Germany  
www.electrovoice.com

Bosch Security Systems, LLC  
12000 Portland Avenue South  
Burnsville MN 55337  
USA