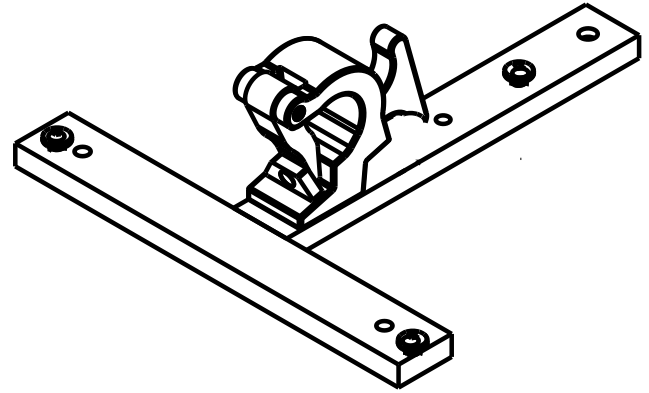


EKX-TCA Truss adaptor for EKX12/15 F/R

EKX Accessory

- Truss adapter for EKX-12, EKX-12P, EKX-15, or EKX-15P



Parts included

Quantity	Component
1	Truss clamp (with bolt and washer attached)
1	Bracket
1	HEX L-KEY, 6MM, long arm
3	M10 split lock washers
3	M10 button head screws
1	M10 fender washer
1	M10 forged steel shoulder eyebolt
1	EKX Full-Range Loudspeaker Accessories Installation Note (F.01U.308.107)

Ordering information

EKX-TCA Truss adaptor for EKX12/15 F/R
 Truss adapter for EKX-12/12P or EKX-15/15P, black
 Order number **EKX-TCA | F.01U.307.178**

Technical specifications

Shipping dimensions (H x W x D): 419 mm x 419 mm x 114 mm (16.5 in. x 16.5 in. x 4.5 in.)
Net weight: 2.8 kg (6.17 lb)
Shipping weight: 3.4 kg (7.5 lb)

Tab. 1: EKX-TCA truss adapter

Represented by:

Germany:
 Bosch Sicherheitssysteme GmbH
 Robert-Bosch-Ring 5
 85630 Grasbrunn
 Germany
www.electrovoice.com

Bosch Security Systems, LLC
 12000 Portland Avenue South
 Burnsville MN 55337
 USA