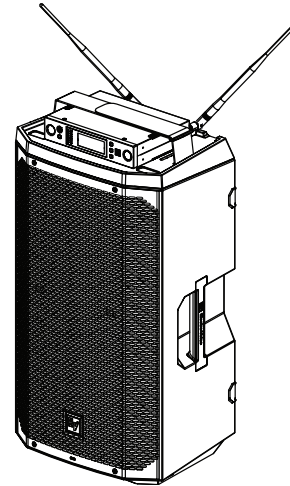


EVERSE12-TRAY-B Tray for EVERSE 12, 12V DC cable, black

- Secure mounting tray for wireless microphone receivers such as the Electro-Voice RE3 or R300, and other equipment such as tablets or smartphones.
- The hook and loop strap combined with integrated locating notches keep both microphone receivers and microphones secure.
- DC power cable included to power your RE3 or R300 receiver with the EVERSE 12's battery.
- Available in black.



Parts included

Quantity	Component
1	Tray mounting base
1	Tray
1	Hook and loop strap
1	DC power cable

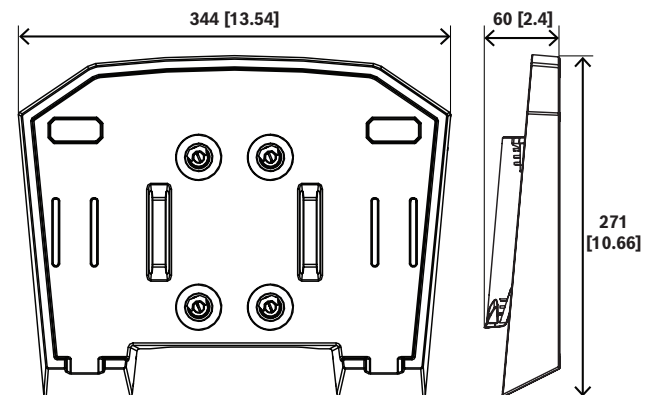
Technical specifications

Material	Polypropylene
Color	Black
Cable length (mm)	650 mm
Cable length (in)	25.59 in
Cable color	Black
Connector OD (mm)	5.5 mm
Connector ID (mm)	2.5 mm
Connector length (mm)	11 mm
Polarity	Center positive
Dimensions (H x W x D) (mm)	60 mm x 344 mm x 271 mm
Dimensions (H x W x D) (in)	2.36 in x 13.58 in x 10.66 in
Shipping dimensions (H x W x D) (mm)	97 mm x 405 mm x 315 mm
Shipping dimensions (H x W x D) (in)	3.82 in x 15.94 in x 12.40 in
Weight (kg)	0.64 kg
Weight (lb)	1.41 lb
Shipping weight (kg)	1.02 kg

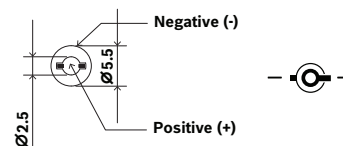
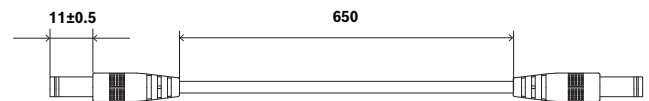
Shipping weight (lb)

2.25 lb

Dimensions



mm[in]



mm

Ordering information

EVERSE12-TRAY-B Tray for EVERSE 12, 12V DC cable, black

Wireless microphone tray

Order number **EVERSE12-TRAY-B | F.01U.409.037**

Represented by:

Germany:
Bosch Sicherheitssysteme GmbH
Robert-Bosch-Ring 5
85630 Grasbrunn
Germany
www.electrovoice.com

Bosch Security Systems, LLC
12000 Portland Avenue South
Burnsville MN 55337
USA