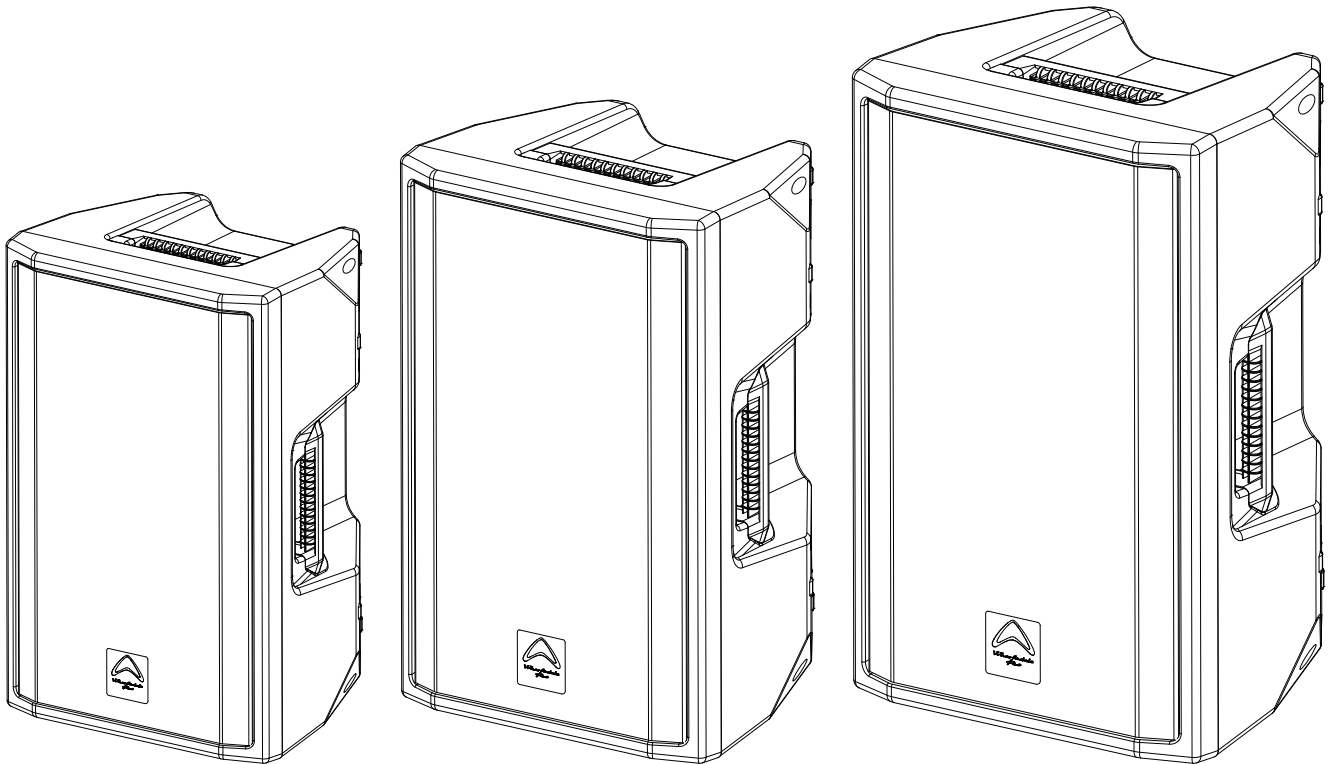




Tourus-AX8
Tourus-AX8-MBT
Tourus-AX12
Tourus-AX12-MBT
Tourus-AX15
Tourus-AX15-MBT



Wharfedale
Pro

WWW.WHARFEDALEPRO.COM

TABLE OF CONTENTS

IMPORTANT WARNINGS & SAFETY INSTRUCTIONS	1 - 2
MULTIPLE INPUTS.....WITH MAXIMUM POWER OUTPUT!	3
BLUETOOTH AND USB OPERATION	4
REAR PANEL FEATURES	5 - 6
TECHNICAL DRAWINGS	7 - 8
BLOCK DIAGRAM	9 - 10
SPECIFICATIONS	11 - 13

IMPORTANT WARNINGS & SAFETY INSTRUCTIONS


1. Read these instructions – All the safety and operating instructions should be read before this product is operated.
2. Keep these instructions – The safety and operating instructions should be retained for future reference.
3. Heed all warnings – All warnings on the appliance and in the operating instructions should be adhered to.
4. Follow all instructions – All operating and use instructions should be followed.
5. Do not use this apparatus near water – The appliance should not be used near water or moisture – for example, in a wet basement or near a swimming pool, and the like.
6. Clean only with dry cloth.
7. Do not block any ventilation openings. Install in accordance with the manufacture's instructions.
8. Do not install near any heat sources such as radiators, heat registers, stoves, or other apparatus (including amplifiers) that produce heat.
9. Do not defeat the safety purpose of the polarized or grounding plug. A polarized plug has two blades with one wider than the other. A grounding plug has two blades and a third grounding prong. The wide blade or the third prong is provided for your safety. If the provided plug does not fit into your outlet, consult an electrician for replacement of the obsolete outlet.
10. Protect the power cord from being walked on or pinched particularly at the plugs, convenience receptacles, and at the point where they exit from the apparatus.
11. Only use attachments/accessories specified by the manufacturer.
12. Use only with the cart, stand, tripod, bracket, or table specified by the manufacturer, or sold with the apparatus. When a cart or rack is used, use caution when moving the cart/apparatus combination to avoid injury from tip-over.



13. Unplug the apparatus during lightning storms or when unused for long periods of time.
14. Refer all servicing to qualified personnel. Servicing is required when the apparatus has been damaged in any way, such as power supply cord or plug is damaged, liquid has been spilled or objects have fallen into the apparatus has been exposed to rain or moisture, does not operate normally, or has been dropped.

15. CAUTION: These servicing instructions are for use by qualified service personnel only. To reduce the risk of electric shock, do not perform any servicing other than that contained in the operating instructions unless you are qualified to do so.
16. WARNING: To reduce the risk of fire or electric shock, do not expose this apparatus to rain or moisture. The apparatus shall not be exposed to dripping or splashing and that objects filled with liquids, such as vases, shall not be placed on apparatus.



17.
 - This lightning flash with arrowhead symbol within an equilateral triangle is intended to alert the user to the presence of non-insulated “dangerous voltage” within the product’s enclosure that may be of sufficient magnitude to constitute a risk of electric shock.
 - Warning: To reduce the risk of electric shock, do not remove cover (or back) as there are no user-serviceable parts inside. Refer servicing to qualified personnel.
 - The exclamation point within an equilateral triangle is intended to alert the user to the presence of important operating and maintenance instructions in the literature accompanying the appliance.
18.  Protective earthing terminal. The apparatus should be connected to a mains socket outlet with a protective earthing connection.
19. The ventilation should not be impeded by covering the ventilation openings with items, such as newspapers, table-cloths, curtains, etc.;
20. No naked flame sources, such as lighted candles, should be placed on the apparatus.
21. Attention should be drawn to environmental aspects of battery disposal.
22. The mains plug is used as disconnect device, the disconnect device shall remain readily operable.
23. The product is designed to use in moderate climates.



Multiple inputs.....with MAXIMUM power output!

The TOURUS series of plastic, active loudspeakers deliver power, value and versatility.

With an 8", 12" and a 15" version, also available with "MBT" models featuring USB mp3 playback and Bluetooth connectivity with TWS stereo link mode, the TOURUS is for anyone needing big power and features on a compact budget.

Custom WP drivers have been selected to ensure that this affordable series have the power and timbre expected from a Wharfedale Pro loudspeaker. In addition, the amplification stages of the 12" and 15" models deploy both Class D (LF) and Class AB (HF) to bring power and value to this series.

With full steel grilles, multiple handles and 4 x M8 rigging points, TOURUS is well suited for installations and for hard work on the road.

A new illuminated Wharfedale Pro logo badge is also proudly shown on the front so that TOURUS looks as good as it sounds.

Features

- 12" and 15" models bi-amplified with Class D and Class AB amps. 8" models powered with single Class D amp.
- Full frontal steel grilles
- 4 x M8 rigging points
- Multiple inputs - 12" and 15" models also feature 2 channel mixer
- USB .mp3, .flac & .wav playback (MBT models)
- Bluetooth input with TWS (True Wireless Stereo) link mode (MBT models)
- RCA Stereo inputs

SETTING UP

1. Ensure the mains switch is in the OFF position.
2. Set the level controls to minimum (Fully anticlockwise).
3. Connect all signal cables.
4. Connect the power cable.
5. Switch on source equipment, ensuring that the master level is at minimum.
6. Switch on the Tourus active loudspeaker.
7. Raise the level controls on the Tourus active loudspeaker.
8. If the limit LED illuminates lower the channel level control, if more level is required you will need more speakers. Occasional flashes are acceptable.
9. When powering down your system ensure that the level control has been lowered to minimum before switching off the power.

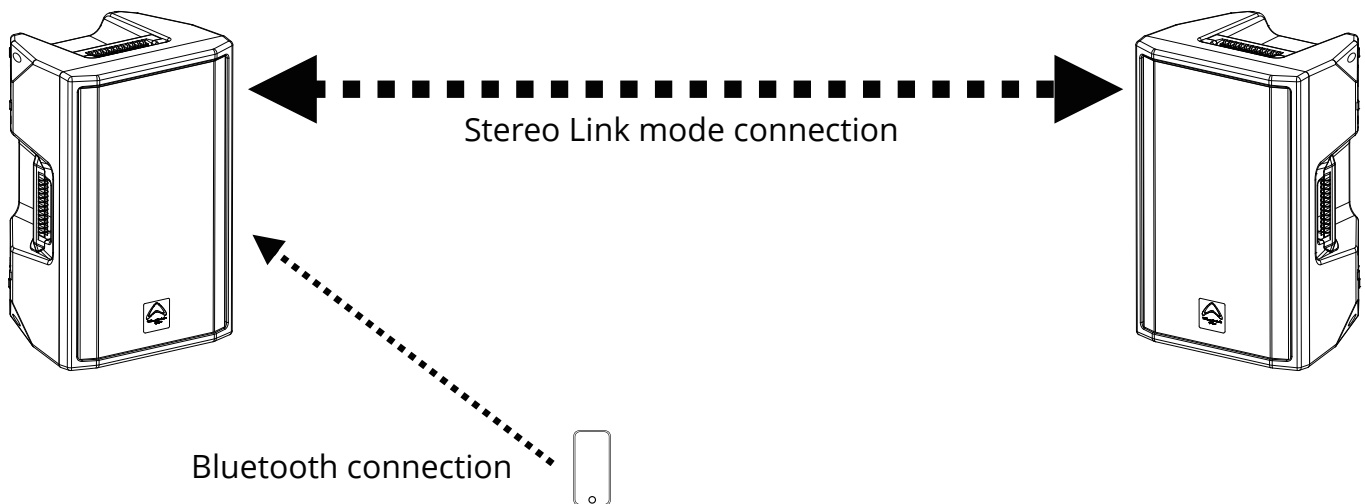
BLUETOOTH and USB OPERATION. (MBT models only)

Bluetooth operation :

Press and hold the Bluetooth button for 2 secs to turn Bluetooth ON or OFF. A quick 'double-click' on the Bluetooth button (0.7 sec) puts Tourus into TWS link mode. In this mode the Primary Tourus will automatically search for another Tourus (Secondary) nearby to create a stereo pair.

Do the same button presses on the Secondary Tourus, and the pair will link. The LEDs of both Primary and Secondary will flicker between Red and Blue during pairing and then will stay blue when paired successfully.

The rear panel transport buttons can even remotely control the Bluetooth source. Next track / Pause / Play etc.



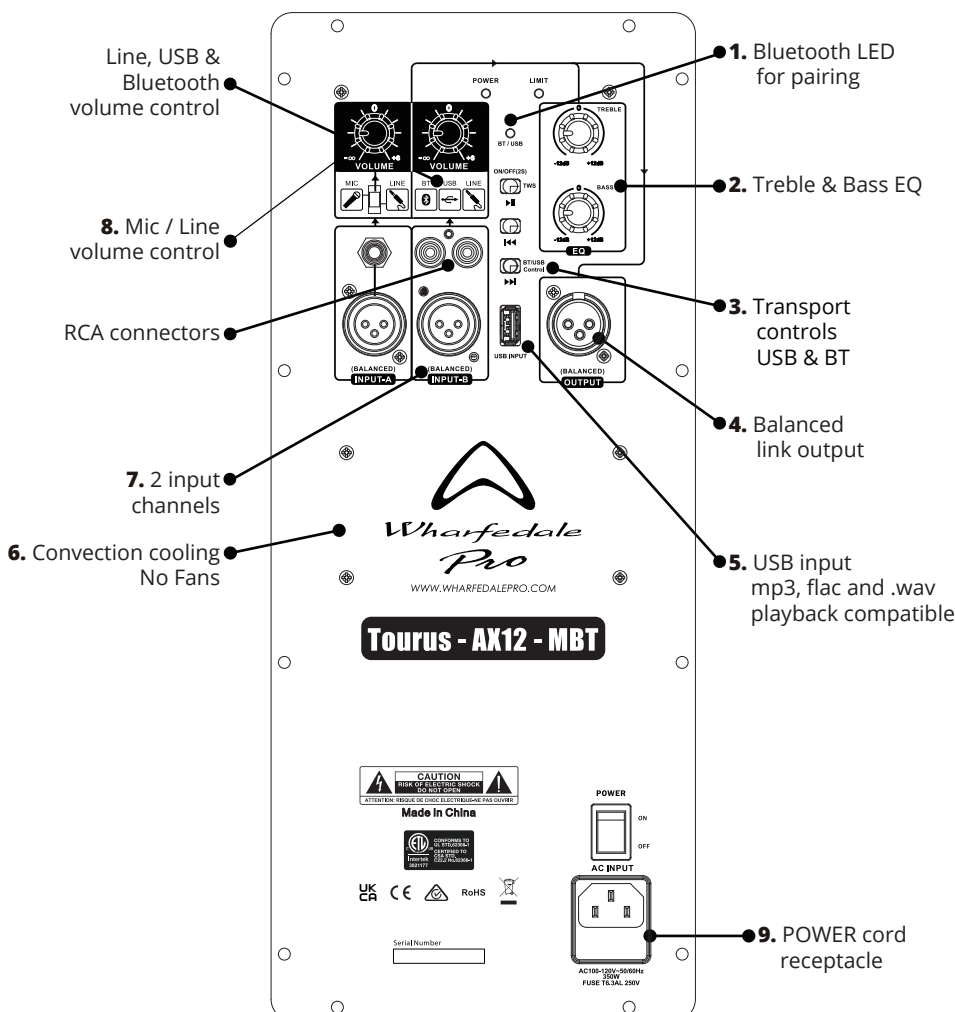
USB operation :

Insert a USB disk loaded with .mp3, .wav or .flac files into the USB socket. Use the rear panel transport controls to control playback. Next track / Pause / Play etc. In Playback mode the LED will flash red. In Pause mode the LED will be solid red.

REAR PANEL FEATURES

1. Bluetooth LED for pairing. USB activity LED. (*MBT models only).
(see BLUETOOTH and USB OPERATION section for more information).
2. Treble and Bass EQ controls. Use these to boost or cut the high and low frequencies by +/-12 dB
3. Transport controls for USB and BT. Play, pause, skip forward and skip backward buttons to control USB file playback or BT source device. (*MBT models only)
4. Balanced XLR line output connector for direct connection to a second active loudspeaker such as another Tourus.
5. USB input socket. For connecting a USB thumbdrive for file playback. (*MBT models only)
6. Convection cooling plate. Tourus uses convection cooling. This means there are no internal fans. Always leave space around a Tourus to ensure that any heat can be dissipated.
7. 2 Input channels. For 12" and 15" models, Channel 1 can accept mic level inputs when the switch is in the Mic position. The 6.3 mm input jack is balanced and is also selectable between mic and line levels depending on the position of the switch above.
8. Mic/Line Volume controls. These control the balance between the 2 channels. Channel 1 is mic/line. Channel 2 is Line plus BT/USB and the RCA connector inputs.
9. POWER cord receptacle: This is a receptacle for a standard IEC, three prong, grounded AC electrical connection cord. Be sure that you are plugging into the correct source voltage that matches what is indicated just below the power cord jack.

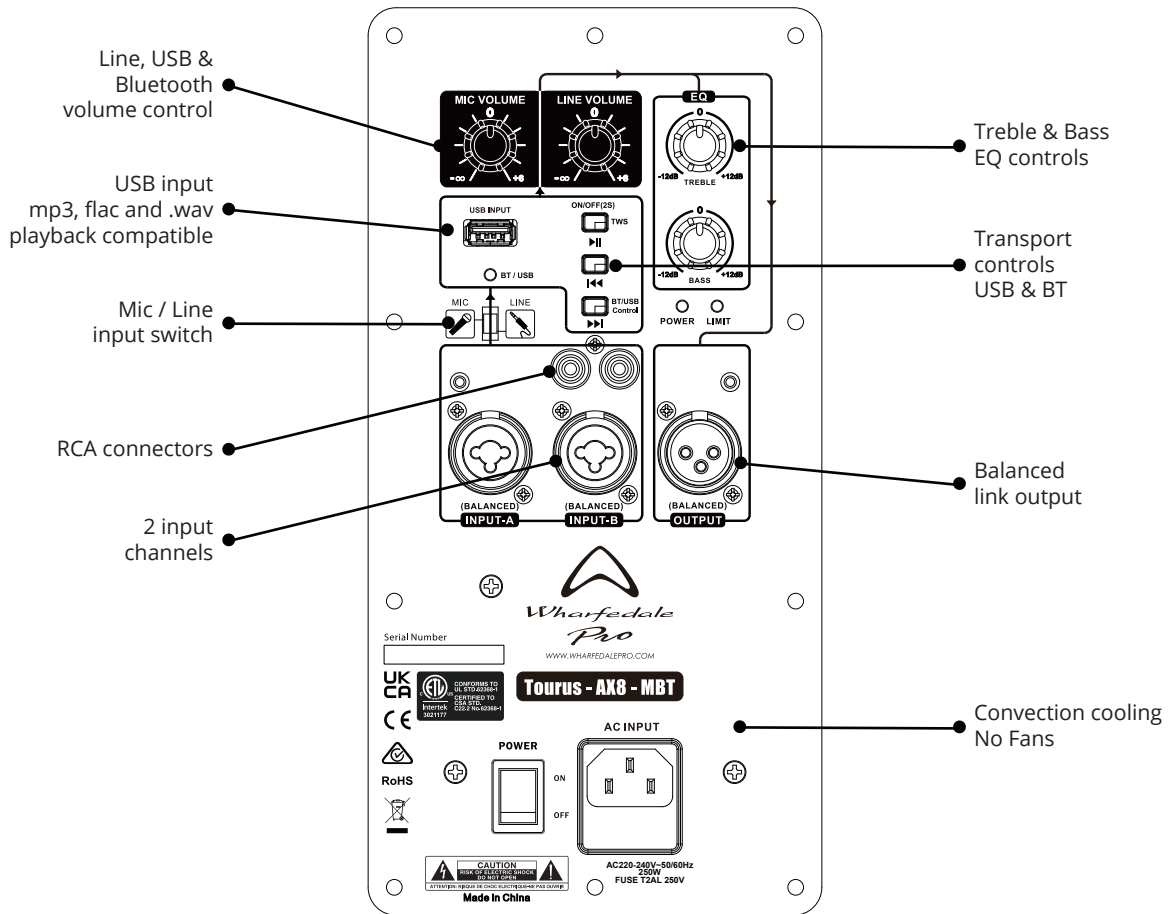
Tourus-AX12-MBT and Tourus-AX15-MBT



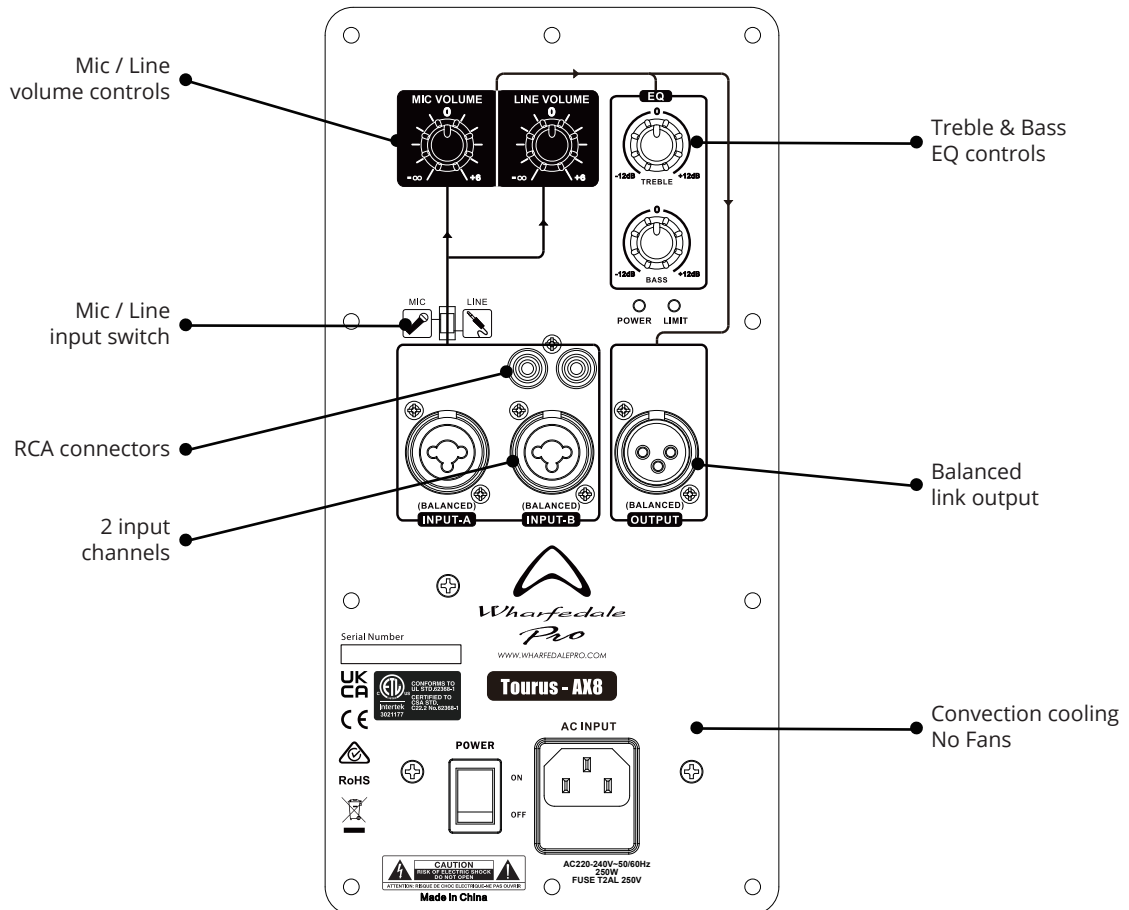
Tourus-AX12 and Tourus-AX15



Tourus-AX8-MBT

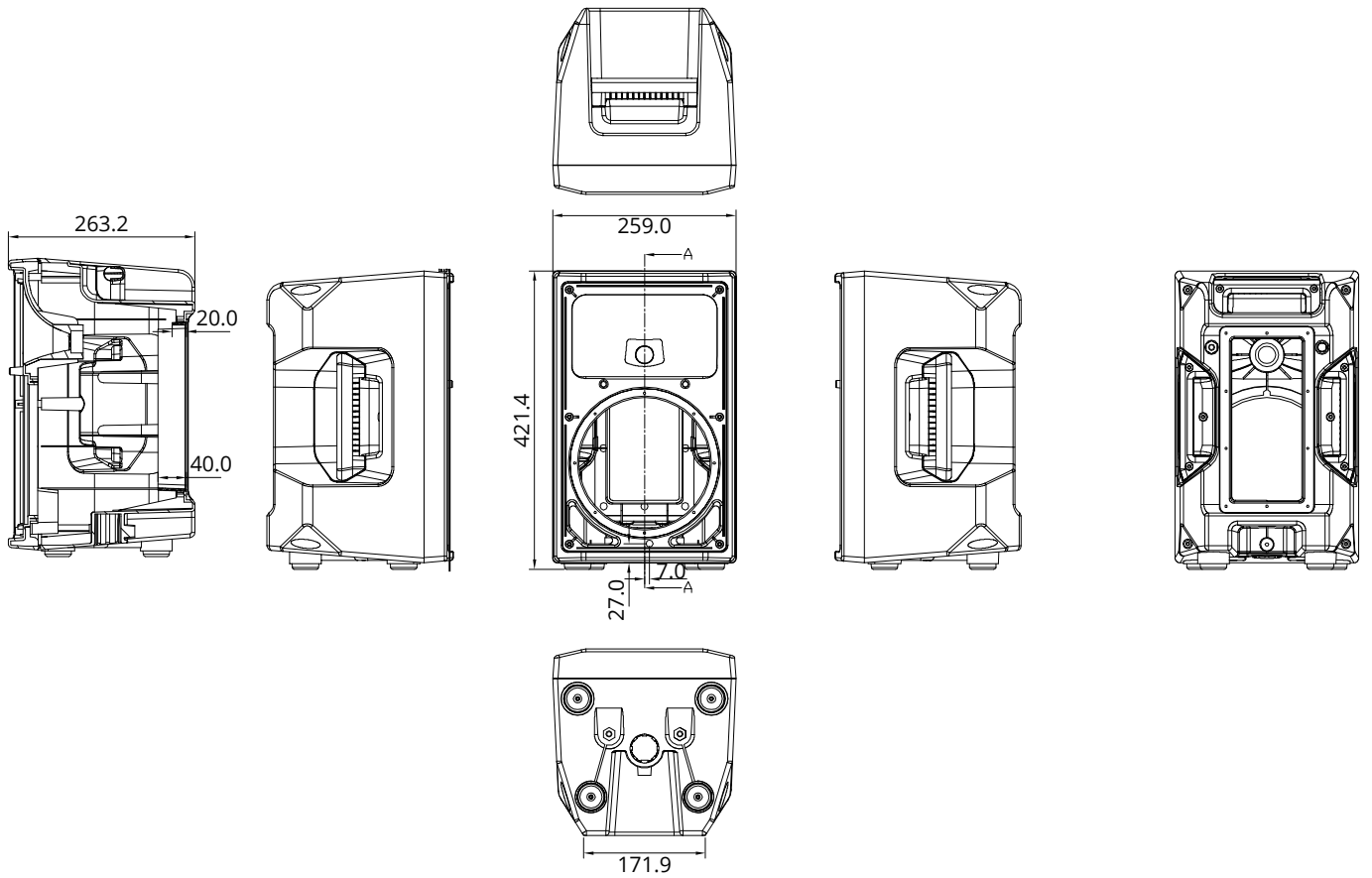


Tourus-AX8

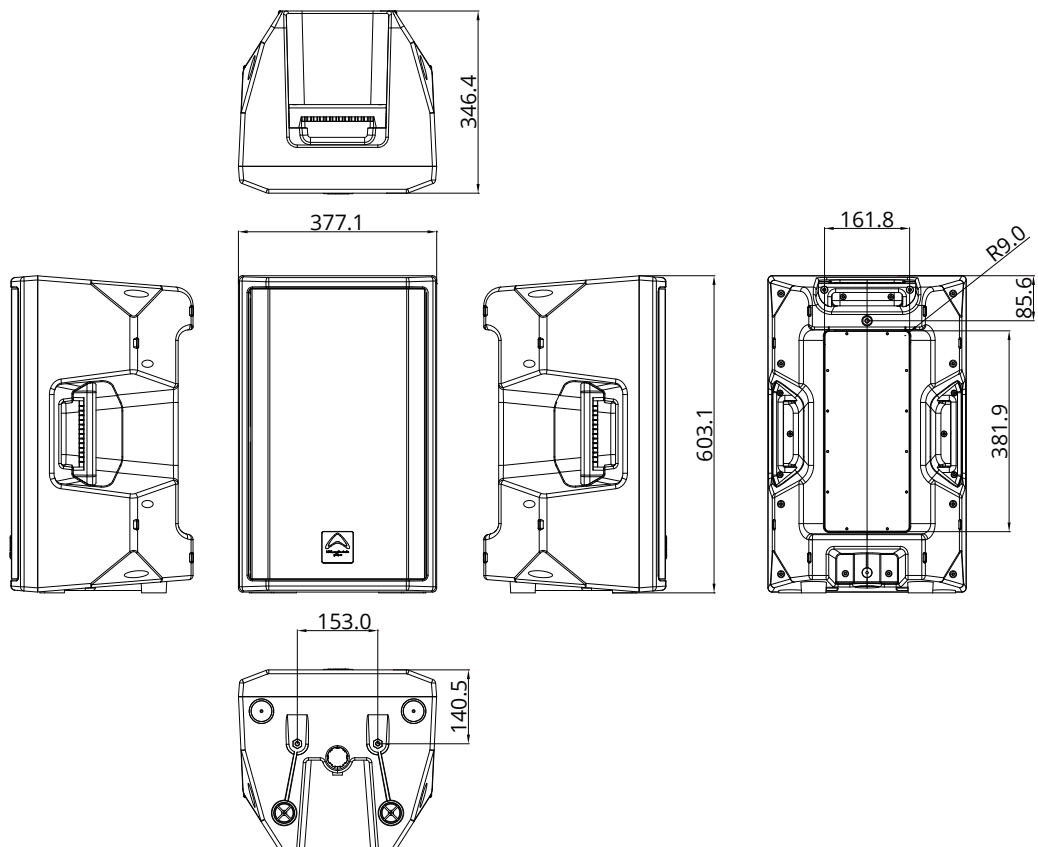


TECHNICAL DRAWINGS

Tourus-AX8 and Tourus-AX8-MBT

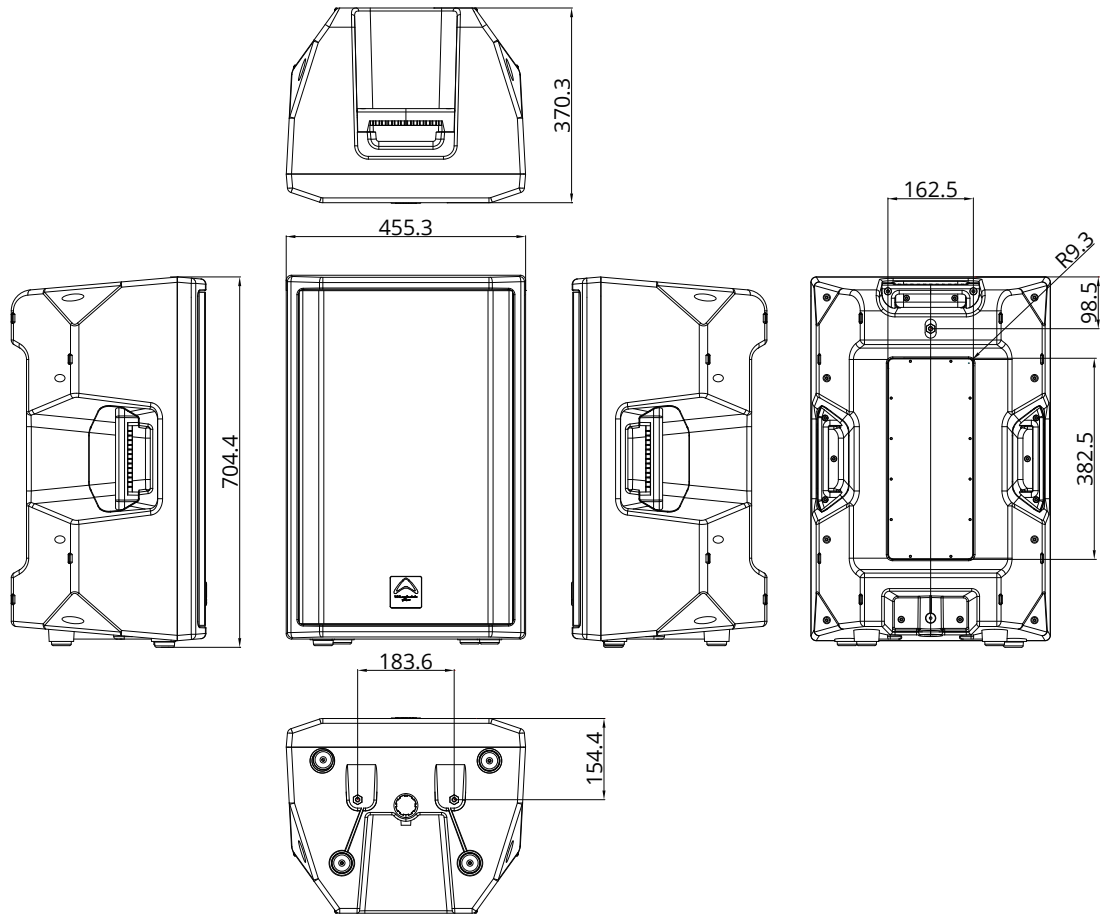


Tourus-AX12 and Tourus-AX12-MBT



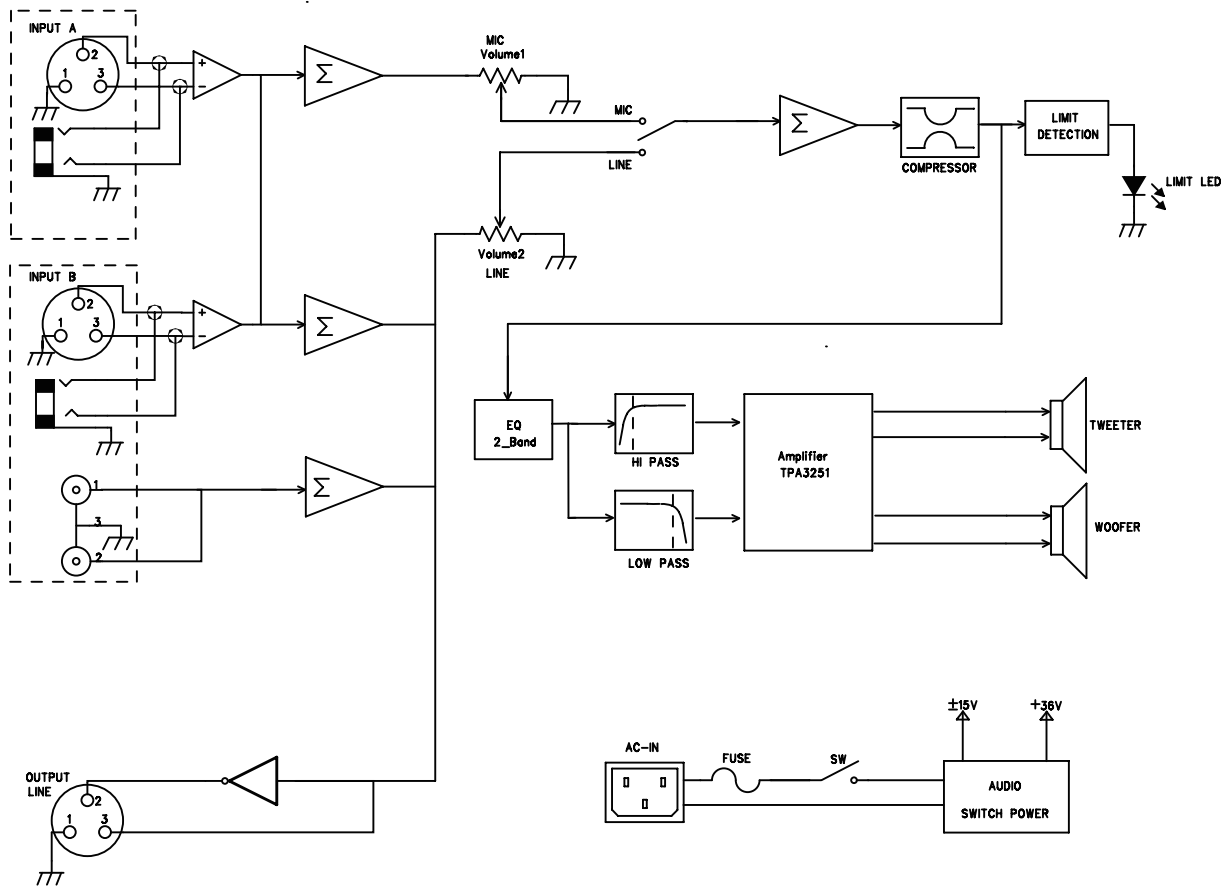
TECHNICAL DRAWINGS

Tourus-AX15 and Tourus-AX15-MBT

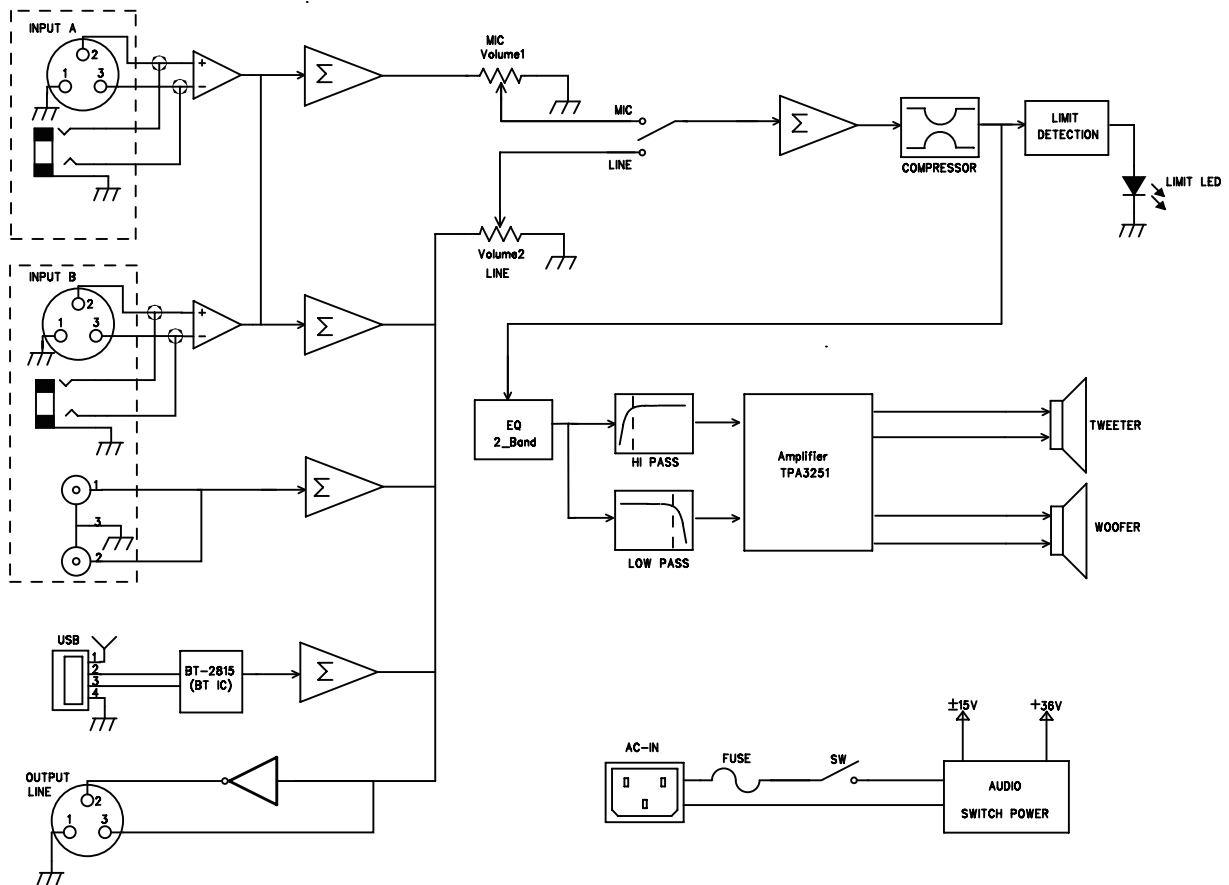


BLOCK DIAGRAM

Torus-AX8

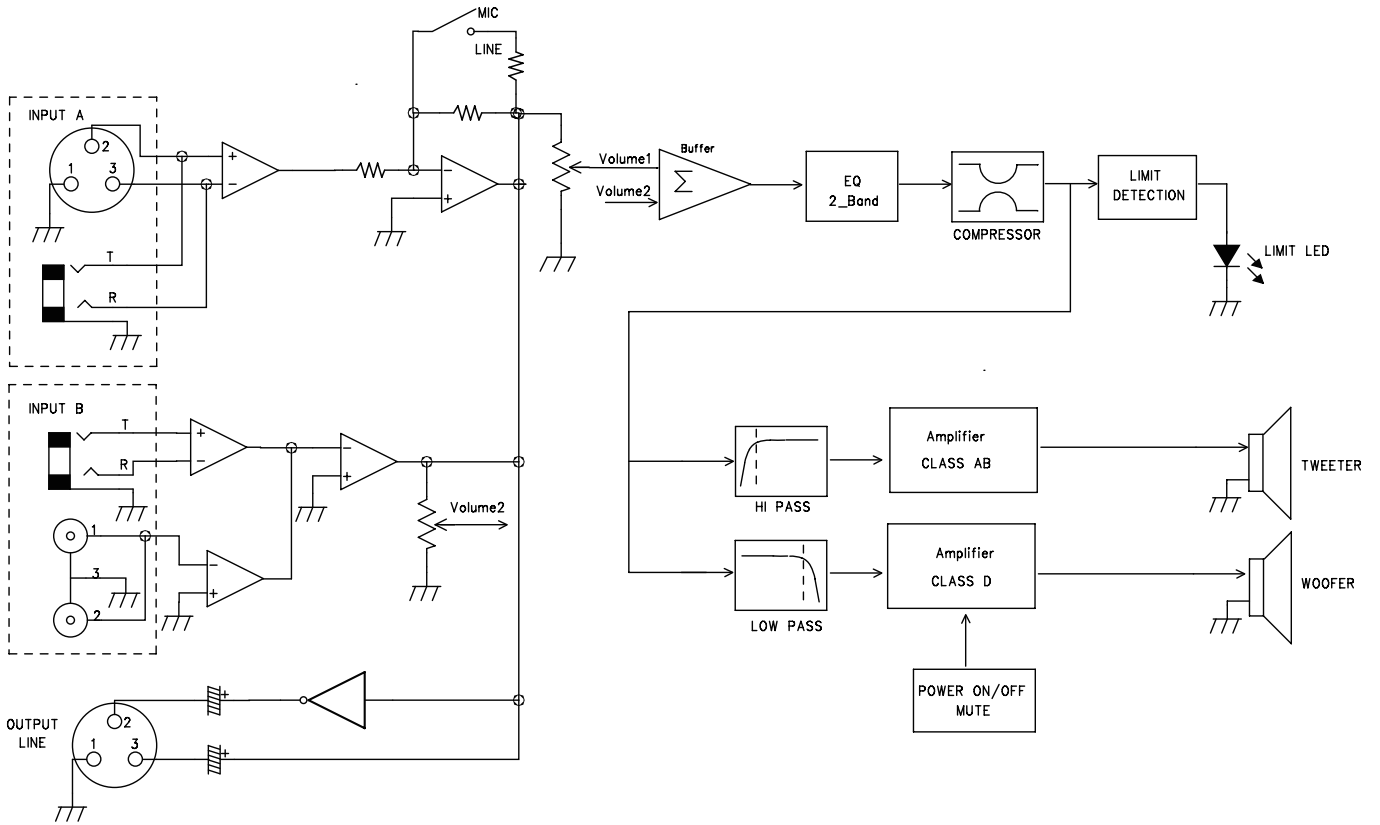


Torus-AX8-MBT

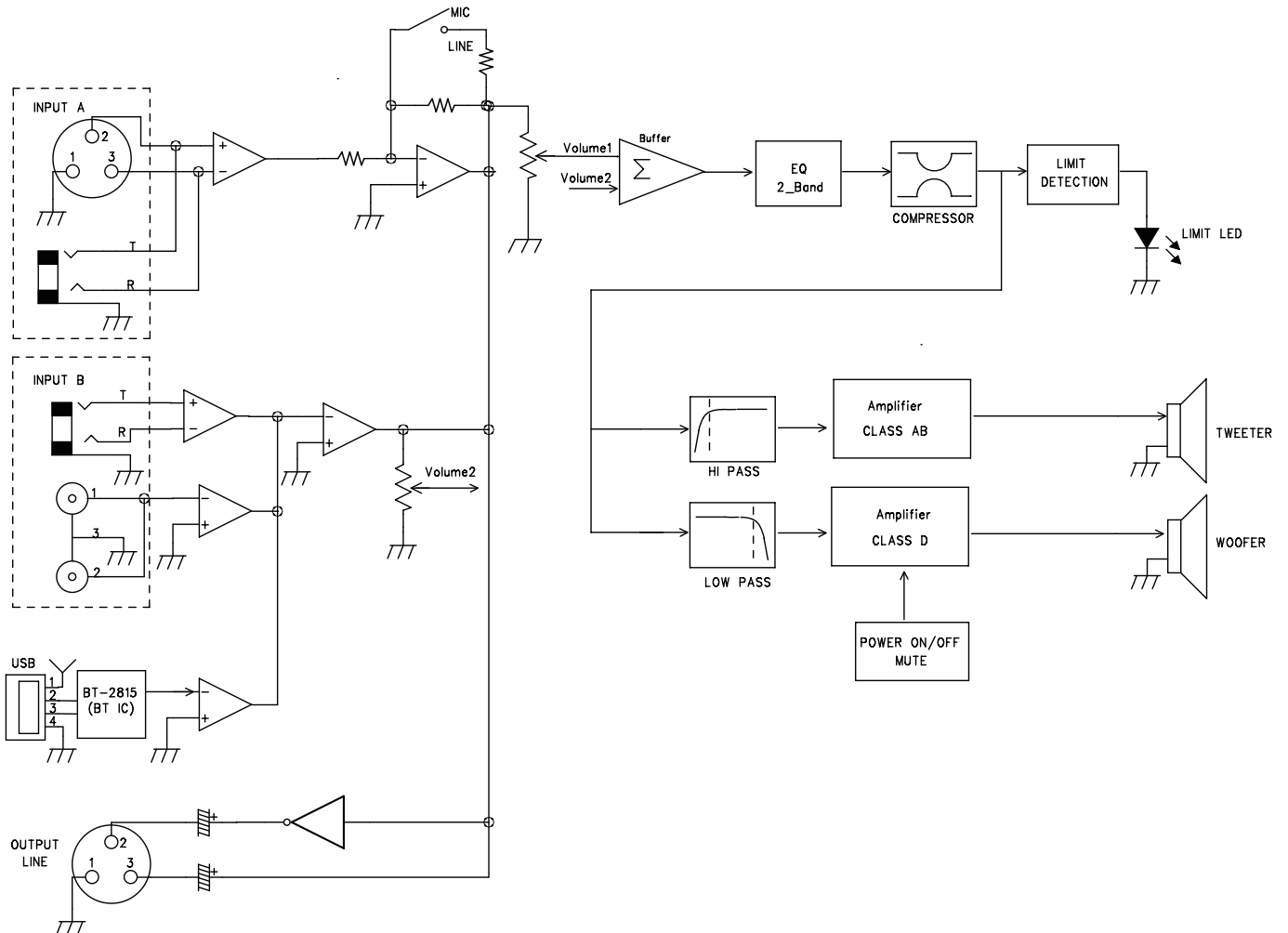


BLOCK DIAGRAM

Torus-AX12 and Torus-AX15



Torus-AX12-MBT and Torus-AX15-MBT



SPECIFICATIONS

Model Name	Tourus-AX8	Tourus-AX8-MBT
System Type	Active 8" 2-way Bi-Amplified	Active 8" 2-way Bi-Amplified
Frequency Response (+/-3 dB)	65-20 kHz	65-20 kHz
Sensitivity @ 1w / 1 meter	95 dB	95 dB
Maximum SPL (peak @ 1 meter)	124 dB	124 dB
Low Frequency Transducer		
Size (mm / inches)	203 mm / 8"	203 mm / 8"
Coil Size (mm / inches)	38.86 mm / 1.53"	38.86 mm / 1.53"
Impedance	4 Ω	4 Ω
High Frequency Transducer		
Type	Compression Driver	Compression Driver
Coil Size (mm / inches)	44.5 mm / 1.75"	44.5 mm / 1.75"
Exit Size (mm / inches)	25 mm / 1"	25 mm / 1"
Diaphragm Material	Titanium	Titanium
Impedance	8 Ω	8 Ω
High Frequency Coverage (H x V)	90° x 60°	90° x 60°
Amplifiers	Class D	Class D
Low-Frequency Power Amplifier	150 w Continuous / 300 w Peak	150 w Continuous / 300 w Peak
High-Frequency Power Amplifier	100 w Continuous / 200 w Peak	100 w Continuous / 200 w Peak
Electronic Crossover		
Crossover Frequency	2.6 kHz	2.6 kHz
Controls		
Equalization	+/-12 dB Gain for bass and treble	+/-12 dB Gain for bass and treble
Amplifier Protection		
Power On Protection	Power switch on / off mute	Power switch on / off mute
Thermal Protection	Amplifier shutdown, auto reset	Amplifier shutdown, auto reset
Driver, DC and Short Protection	Yes	Yes
Limit Indicator	Red LED	Red LED
Power Indicator	Green LED / Blue LED(LOGO)	Green LED / Blue LED(LOGO)
Input type	Balanced / unbalanced	Balanced / unbalanced / Bluetooth / USB
Input Connectors	TRS JACK / SOCKET XLR / RCA	TRS JACK / SOCKET XLR / RCA / USB
Input Impedance	47 KΩ Balanced	47 KΩ Balanced
Maximum Input Level	5 V	5 V
Line Input Sensitivity	-10 dB	-10 dB
Mic Input Sensitivity	-40 dB	-40 dB
Line Output Connector	PIN XLR	PIN XLR
AC Power details		
Power Supply	SMPS	SMPS
AC Power Options	100 V-120 V and 220 V-240 V	100 V-120 V and 220 V-240 V
Power On Indicator	LED	LED
Rigging / Bracket / Mounting Options	4 x M8 35 mm Pole-mount with lock screw 3 carry handles (one on each side, one on top) Optional wall-mount bracket (WPB-2)	4 x M8 35 mm Pole-mount with lock screw 3 carry handles (one on each side, one on top) Optional wall-mount bracket (WPB-2)
Enclosure		
Enclosure Material	Injection Moulded Polypropylene	Injection Moulded Polypropylene
Colour	black	black
Grille	1.2 mm steel	1.2 mm steel
Dimensions (Unpacked)(mm / inches)		
Height	421.4 mm / 16.6"	421.4 mm / 16.6"
Width - Front	259 mm / 10.2"	259 mm / 10.2"
Width - Rear	171.9 mm / 6.7"	171.9 mm / 6.7"
Depth	263.2 mm / 10.4"	263.2 mm / 10.4"
Dimensions (packed)(mm / inches)		
Height	470 mm / 18.5"	470 mm / 18.5"
Width	315 mm / 12.4"	315 mm / 12.4"
Depth	307 mm / 12.1"	307 mm / 12.1"
Weight		
Net Weight (kg / lbs)	8.0 kg / 17.6 lbs	8.0 kg / 17.6 lbs
Gross Weight (kg / lbs)	9.2 kg / 20.24 lbs	9.2 kg / 20.24 lbs

SPECIFICATIONS

Model Name	Tourus-AX12	Tourus-AX12-MBT
System Type	Active 12" 2-way Bi-Amplified	Active 12" 2-way Bi-Amplified
Frequency Response (+/-3 dB)	55-20 kHz	55-20 kHz
Sensitivity @ 1w / 1 meter	96 dB	96 dB
Maximum SPL (peak @ 1 meter)	128 dB	128 dB
Low Frequency Transducer		
Size (mm / inches)	305 mm / 12"	305 mm / 12"
Coil Size (mm / inches)	50.8 mm / 2.0"	50.8 mm / 2.0"
Impedance	4 Ω	4 Ω
High Frequency Transducer		
Type	Compression Driver	Compression Driver
Coil Size (mm / inches)	44.5 mm / 1.75"	44.5 mm / 1.75"
Exit Size (mm / inches)	25 mm / 1"	25 mm / 1"
Diaphragm Material	Titanium	Titanium
Impedance	8 Ω	8 Ω
High Frequency Coverage (H x V)	90° x 60°	90° x 60°
Amplifiers	HF Amp Class AB : LF Amp Class D	HF Amp Class AB : LF Amp Class D
Low-Frequency Power Amplifier	250 w Continuous / 500 w Peak	250 w Continuous / 500 w Peak
High-Frequency Power Amplifier	100 w Continuous / 200 w Peak	100 w Continuous / 200 w Peak
Electronic Crossover		
Crossover Frequency	HI PASS 2.5 kHz LOW PASS 2.5 kHz	HI PASS 2.5 kHz LOW PASS 2.5 kHz
Controls		
Equalization	+/-12 dB Gain for bass and treble	+/-12 dB Gain for bass and treble
Amplifier Protection		
Power On Protection	Power switch on / off mute	Power switch on / off mute
Thermal Protection	Amplifier shutdown, auto reset	Amplifier shutdown, auto reset
Driver, DC and Short Protection	Yes	Yes
Limiter Indicator	Red LED	Red LED
Power Indicator	Green LED	Green LED
Input type	Balanced	Balanced / BT / USB
Input Connectors	2 x TRS JACK, 2 x RCA AND 2 x SOCKET XLR	2 x TRS JACK, 2 x RCA AND 2 x SOCKET XLR
Input Impedance	47 KΩ Balanced	47 KΩ Balanced
Maximum Input Level	5 V	5 V
Line Input Sensitivity	-10 dB	-10 dB
Mic Input Sensitivity	-40 dB	-40 dB
Line Output Connector	PIN XLR	PIN XLR
AC Power details		
Power Supply	SMPS	SMPS
AC Power Options	100 V-120 V and 200 V-240 V	100 V-120 V and 200 V-240 V
Power On Indicator	LED	LED
Rigging / Bracket / Mounting Options	4 x M8 35 mm Pole-mount with lock screw 3 carry handles (one on each side, one on top) Optional wall-mount bracket (WPB-2)	4 x M8 35 mm Pole-mount with lock screw 3 carry handles (one on each side, one on top) Optional wall-mount bracket (WPB-2)
Enclosure		
Enclosure Material	Injection Moulded Polypropylene	Injection Moulded Polypropylene
Colour	black	black
Grille	1.2 mm steel	1.2 mm steel
Dimensions (Unpacked)(mm / inches)		
Height	603 mm / 23.7"	603 mm / 23.7"
Width - Front	377 mm / 14.8"	377 mm / 14.8"
Width - Rear	217 mm / 8.54"	217 mm / 8.54"
Depth	347 mm / 13.7"	347 mm / 13.7"
Dimensions (packed)(mm / inches)		
Height	666 mm / 26.2"	666 mm / 26.2"
Width	430 mm / 16.9"	430 mm / 16.9"
Depth	408 mm / 16.1"	408 mm / 16.1"
Weight		
Net Weight (kg / lbs)	15.0 kg / 33.0 lbs	15.0 kg / 33.0 lbs
Gross Weight (kg / lbs)	17.0 kg / 37.4 lbs	17.0 kg / 37.4 lbs

SPECIFICATIONS

Model Name	Tourus-AX15	Tourus-AX15-MBT
System Type	Active 15" 2-way Bi-Amplified	Active 15" 2-way Bi-Amplified
Frequency Response (+/-3 dB)	50-20 kHz	50-20 kHz
Sensitivity @ 1w / 1 meter	97 dB	97 dB
Maximum SPL (peak @ 1 meter)	130 dB	130 dB
Low Frequency Transducer		
Size (mm / inches)	381 mm / 15"	381 mm / 15"
Coil Size (mm / inches)	50.8 mm / 2.0"	50.8 mm / 2.0"
Impedance	4 Ω	4 Ω
High Frequency Transducer		
Type	Compression Driver	Compression Driver
Coil Size (mm / inches)	44.5 mm / 1.75"	44.5 mm / 1.75"
Exit Size (mm / inches)	25 mm / 1"	25 mm / 1"
Diaphragm Material	Titanium	Titanium
Impedance	8 Ω	8 Ω
High Frequency Coverage (H x V)	90° x 60°	90° x 60°
Amplifiers	HF Amp Class AB : LF Amp Class D	HF Amp Class AB : LF Amp Class D
Low-Frequency Power Amplifier	350 w Continuous / 700 w Peak	350 w Continuous / 700 w Peak
High-Frequency Power Amplifier	100 w Continuous / 200 w Peak	100 w Continuous / 200 w Peak
Electronic Crossover		
Crossover Frequency	HI PASS 2.4 kHz LOW PASS 2.4 kHz	HI PASS 2.4 kHz LOW PASS 2.4 kHz
Controls		
Equalization	+/-12 dB Gain for bass and treble	+/-12 dB Gain for bass and treble
Amplifier Protection		
Power On Protection	Power switch on / off mute	Power switch on / off mute
Thermal Protection	Amplifier shutdown, auto reset	Amplifier shutdown, auto reset
Driver, DC and Short Protection	Yes	Yes
Limiter Indicator	Red LED	Red LED
Power Indicator	Green LED	Green LED
Input type	Balanced	Balanced / BT / USB
Input Connectors	2 x TRS JACK, 2 x RCA AND 2 x SOCKET XLR	2 x TRS JACK, 2 x RCA AND 2 x SOCKET XLR
Input Impedance	47 KΩ Balanced	47 KΩ Balanced
Maximum Input Level	5 V	5 V
Line Input Sensitivity	-10 dB	-10 dB
Mic Input Sensitivity	-40 dB	-40 dB
Line Output Connector	PIN XLR	PIN XLR
AC Power details		
Power Supply	SMPS	SMPS
AC Power Options	100 V-120 V and 200 V-240 V	100 V-120 V and 200 V-240 V
Power On Indicator	LED	LED
Rigging / Bracket / Mounting Options	4 x M8 35 mm Pole-mount with lock screw 3 carry handles (one on each side, one on top) Optional wall-mount bracket (WPB-2)	4 x M8 35 mm Pole-mount with lock screw 3 carry handles (one on each side, one on top) Optional wall-mount bracket (WPB-2)
Enclosure		
Enclosure Material	Injection Moulded Polypropylene	Injection Moulded Polypropylene
Colour	black	black
Grille	1.2 mm steel	1.2 mm steel
Dimensions (Unpacked)(mm / inches)		
Height	693 mm / 27.3"	693 mm / 27.3"
Width - Front	455 mm / 17.9"	455 mm / 17.9"
Width - Rear	262 mm / 10.3"	262 mm / 10.3"
Depth	401.8 mm / 15.1"	401.8 mm / 15.1"
Dimensions (packed)(mm / inches)		
Height	762 mm / 30.0"	762 mm / 30.0"
Width	508 mm / 20.0"	508 mm / 20.0"
Depth	425 mm / 16.7"	425 mm / 16.7"
Weight		
Net Weight (kg / lbs)	19.2 kg / 42.2 lbs	19.2 kg / 42.2 lbs
Gross Weight (kg / lbs)	22.0 kg / 48.4 lbs	22.0 kg / 48.4 lbs

WHARFEDALE PRO LIMITED WARRANTY

Wharfedale Pro products are warranted of manufacturing or material defects for a period of three years from the original date of purchase. In the event of malfunction, contact your authorised Wharfedale Pro dealer or distributor for information.

Please be aware that the warranty details may differ from country to country. Contact your dealer or distributor for information (available at www.wharfedalepro.com). These terms do not infringe your statutory rights.



Wharfedale Professional
IAG House 13/14 Glebe Road Huntingdon Cambridgeshire PE29 7DL UK
www.wharfedalepro.com

Wharfedale Professional reserves the right to alter or improve specifications without notice.
All rights reserved © 2024 Wharfedale Pro. Wharfedale Pro is a member of the IAG Group.