



www.wharfedalepro.com

TOURUS SERIES ACTIVE LOUDSPEAKERS

Multiple inputs... with Maximum power output

- ✓ Available with Mic, Line, RCA, USB and BLUETOOTH inputs
- ✓ Bi-amplified with high power output
- ✓ Easy operation
- ✓ Portable and durable
- ✓ Custom Wharfedale Pro drivers
- ✓ 1.75" HF compression driver
- ✓ Convection cooling
- ✓ 4 x M8 rigging points



Tourus 15" Active



Tourus 12" Active



Tourus 8" Active



TOURUS



Tourus-AX8 and Tourus-AX8-MBT
8" Active

250 w Continuous

500 w Peak



Tourus-AX12 and Tourus-AX12-MBT
12" Active

350 w Continuous

700 w Peak



Tourus-AX15 and Tourus-AX15-MBT
15" Active

450 w Continuous

900 w Peak

Constructed of durable polypropylene and using a full-face steel front grille, Tourus loudspeakers are robust and versatile - ideal for DJ's, musicians and installations.

Custom Wharfedale Pro drivers have been used. All models use a class-leading 1.75" HF compression driver to ensure clear and accurate high frequency performance. Meanwhile the large 2.0" voice coils used in the 12" and 15" LF drivers give efficient power handling, even at extreme volumes.

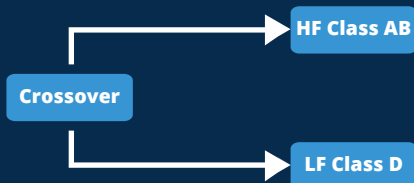
12" and 15" models are bi-amplified using Class D for the LF and a newly designed Class AB amplifier for the HF. This combination gives a great power to price ratio. The 8" model uses Class D which delivers the power needed, but at a reduced weight.

Simple operation is the key though - with +/-12 dB treble and bass controls and straightforward connectivity, even the most inexperienced user can achieve great sound.

BI-AMPLIFIED

Tourus active loudspeakers contain 2 discrete amplifiers. This ensures the best matching with the custom transducers.

In the 12" and 15" models, the HF component is driver by a Class AB amplifier while the LF is driven by a Class D amplifier. This gives a practical balance between weight, cost and power.



No Fans = silent operation and high reliability

sssssh !

The two amplifiers inside a Tourus are extremely efficient. So efficient that they can use convection cooling. This means that there are no fans!

Fans inside loudspeakers can add to operational noise, weight, price and can lead to reliability issues. Tourus has no fan!

Ssssssh! - Silent and reliable operation.



Large 1.75" HF voice coil

Tourus loudspeakers use the largest HF voice coils in their class.

A custom made Wharfedale Pro compression driver delivers crisp and precise high frequencies, even at extreme volumes.



Optional Tourus Soft cover

With soft internal padding these optional accessories are ideal for simple transportation or as a dust cover when the Tourus is not being used.

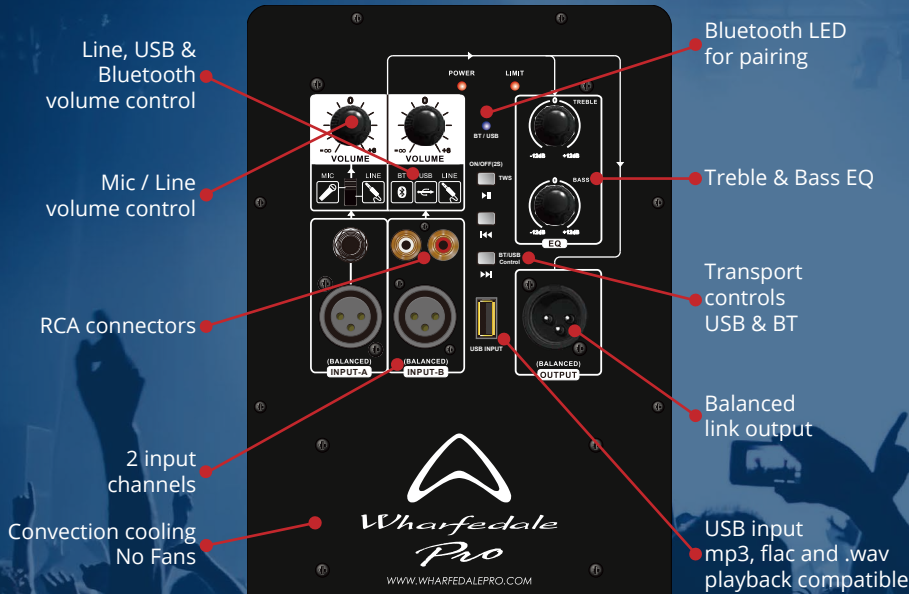
The Tourus carry handles are easily accessible even when it is inside its Tourus Soft cover.



AROUND THE BACK

Tourus-AX12-MBT and Tourus-AX15-MBT

Tourus-AX12 and Tourus-AX15



Tourus-AX8-MBT



Tourus-AX8



CHOICES, CHOICES....CHOICES....

The power of Tourus not only comes from its efficient amplification electronics and custom made drivers. It also comes from the input stages.

Connect a balanced microphone. Connect 2 balanced line inputs and even connect DJ and domestic equipment using the stereo RCA jacks. Simple connections for maximum usability.

In addition, the MBT model includes both BLUETOOTH and USB thumb drive inputs. Its quick and easy to pair your mobile device over BLUETOOTH allowing for high quality wireless audio to stream into the Tourus. Alternatively, insert a USB thumb drive containing audio files and control backing tracks or background music with the handy transport controls.

Multiple inputs....with maximum power output!

CONNECTIVITY

Using the BT Stereo link mode, 2 units of Tourus-MBT create their own Stereo linked pair. Tourus uses TWS (True Wireless Stereo) technology to create a controllable linked pair of speakers from a single Bluetooth input.



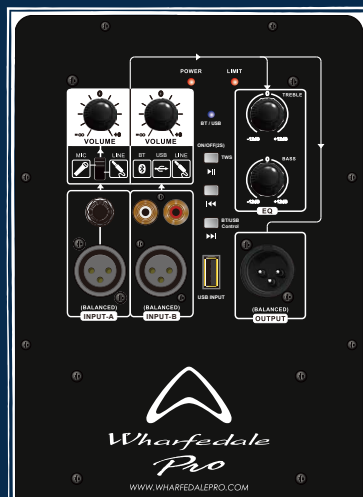
EVERYONE LOVES BASS.

To enhance a Tourus system, the T-Sub-AX15B is the perfect active subwoofer partner. With 700w of Class D Continuous power driving a custom WP 15" Quad layer driver, T-Sub-AX15B is sonically matched for a TOURUS.



ILLUMINATION

Tourus not only sounds great - but looks great too! A new, illuminated front grille logo badge adds visual power to the system! Eye catching and cool.



RCA CONNECTORS

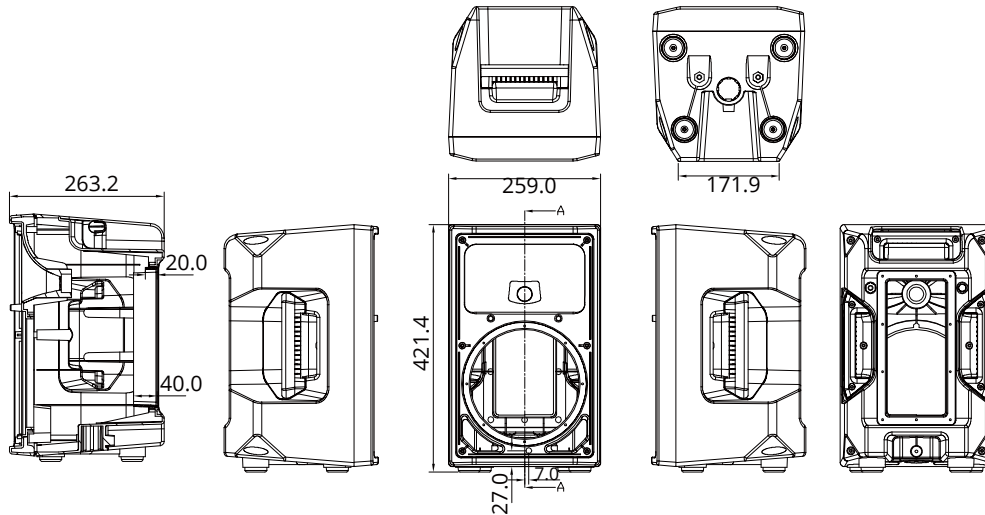
To allow for easy connection to 'consumer' level devices, Tourus features standard domestic stereo RCA inputs.

TECHNICAL DRAWINGS

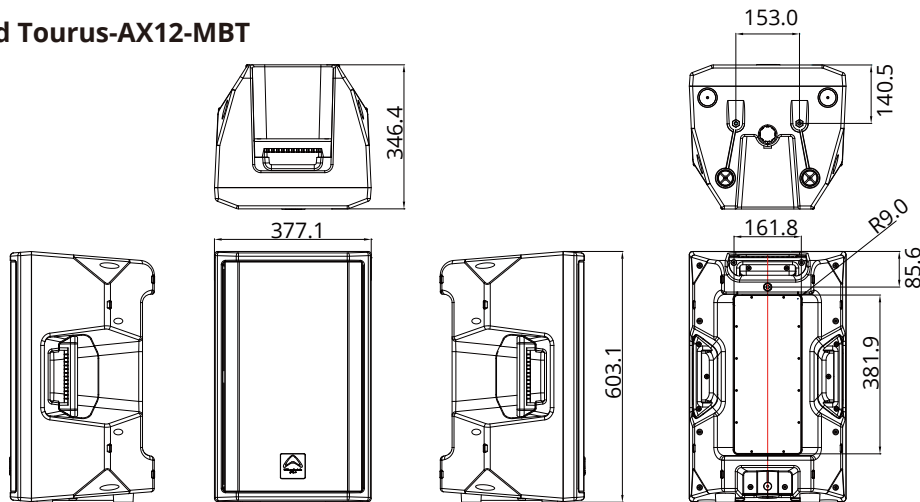
READY FOR RIGGING

The cabinet of Tourus contains 4 x M8 rigging points along with the integral 35mm pole socket. This makes a Tourus great for fixed installation.

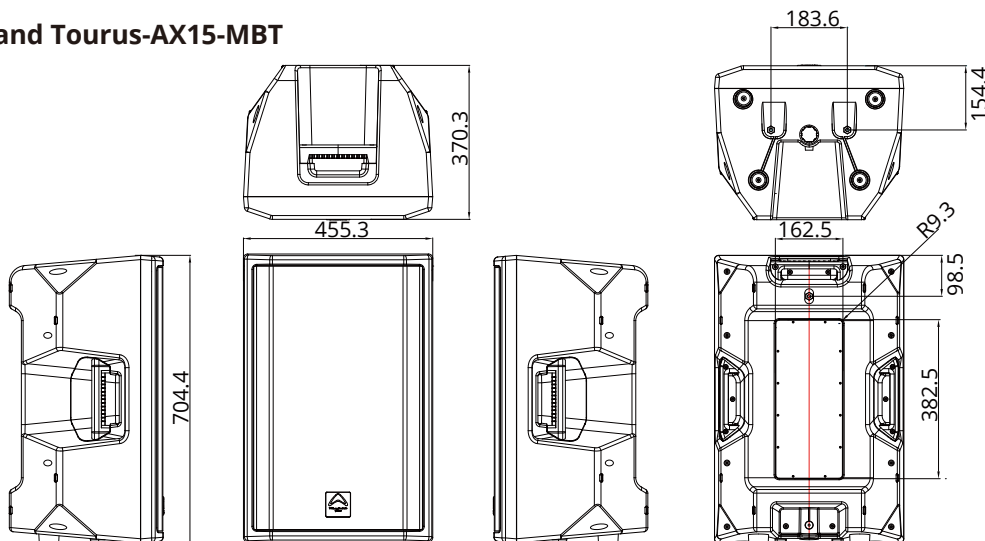
Tourus-AX8 and Tourus-AX8-MBT



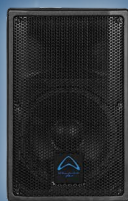
Tourus-AX12 and Tourus-AX12-MBT



Tourus-AX15 and Tourus-AX15-MBT



SPECIFICATIONS



Model Name	Tourus-AX8	Tourus-AX8-MBT
System Type	Active 8" 2-way Bi-Amplified	Active 8" 2-way Bi-Amplified
Frequency Response (+/-3 dB)	65-20 kHz	65-20 kHz
Sensitivity @ 1w / 1 meter	95 dB	95 dB
Maximum SPL (peak @ 1 meter)	124 dB	124 dB
Low Frequency Transducer		
Size (mm / inches)	203 mm / 8"	203 mm / 8"
Coil Size (mm / inches)	38.86 mm / 1.53"	38.86 mm / 1.53"
Impedance	4 Ω	4 Ω
High Frequency Transducer		
Type	Compression Driver	Compression Driver
Coil Size (mm / inches)	44.5 mm / 1.75"	44.5 mm / 1.75"
Exit Size (mm / inches)	25 mm / 1"	25 mm / 1"
Diaphragm Material	Titanium	Titanium
Impedance	8 Ω	8 Ω
High Frequency Coverage (H x V)	90° x 60°	90° x 60°
Amplifiers		
Class	Class D	Class D
Low-Frequency Power Amplifier	150 w Continuous / 300 w Peak	150 w Continuous / 300 w Peak
High-Frequency Power Amplifier	100 w Continuous / 200 w Peak	100 w Continuous / 200 w Peak
Electronic Crossover		
Crossover Frequency	2.6 kHz	2.6 kHz
Controls		
Equalization	+/-12 dB Gain for bass and treble	+/-12 dB Gain for bass and treble
Amplifier Protection		
Power On Protection	Power switch on / off mute	Power switch on / off mute
Thermal Protection	Amplifier shutdown, auto reset	Amplifier shutdown, auto reset
Driver, DC and Short Protection	Yes	Yes
Limiter Indicator	Red LED	Red LED
Power Indicator	Green LED / Blue LED(LOGO)	Green LED / Blue LED(LOGO)
Input type	Balanced / unbalanced	Balanced / unbalanced / Bluetooth / USB
Input Connectors	TRS JACK / FEMALE XLR / RCA	TRS JACK / FEMALE XLR / RCA / USB
Input Impedance	47 KΩ Balanced	47 KΩ Balanced
Maximum Input Level	5 V	5 V
Line Input Sensitivity	-10 dB	-10 dB
Mic Input Sensitivity	-40 dB	-40 dB
Line Output Connector	MALE XLR	MALE XLR
AC Power details		
Power Supply	SMPS	SMPS
AC Power Options	100 V-120 V and 220 V-240 V	100 V-120 V and 220 V-240 V
Power On Indicator	LED	LED
Rigging / Bracket / Mounting Options	4 x M8 35 mm Pole-mount with lock screw 3 carry handles (one on each side, one on top) Optional wall-mount bracket (WPB-2)	4 x M8 35 mm Pole-mount with lock screw 3 carry handles (one on each side, one on top) Optional wall-mount bracket (WPB-2)
Enclosure		
Enclosure Material	Injection Moulded Polypropylene	Injection Moulded Polypropylene
Colour	black	black
Grille	1.2 mm steel	1.2 mm steel
Dimensions (Unpacked)(mm / inches)		
Height	421.4 mm / 16.6"	421.4 mm / 16.6"
Width - Front	259 mm / 10.2"	259 mm / 10.2"
Width - Rear	171.9 mm / 6.7"	171.9 mm / 6.7"
Depth	263.2 mm / 10.4"	263.2 mm / 10.4"
Dimensions (packed)(mm / inches)		
Height	470 mm / 18.5"	470 mm / 18.5"
Width	315 mm / 12.4"	315 mm / 12.4"
Depth	307 mm / 12.1"	307 mm / 12.1"
Weight		
Net Weight (kg / lbs)	8.0 kg / 17.6 lbs	8.0 kg / 17.6 lbs
Gross Weight (kg / lbs)	9.2 kg / 20.24 lbs	9.2 kg / 20.24 lbs

SPECIFICATIONS



Model Name	Tourus-AX12	Tourus-AX12-MBT
System Type	Active 12" 2-way Bi-Amplified	Active 12" 2-way Bi-Amplified
Frequency Response (+/-3 dB)	55-20 kHz	55-20 kHz
Sensitivity @ 1w / 1 meter	96 dB	96 dB
Maximum SPL (peak @ 1 meter)	128 dB	128 dB
Low Frequency Transducer		
Size (mm / inches)	305 mm / 12"	305 mm / 12"
Coil Size (mm / inches)	50.8 mm / 2.0"	50.8 mm / 2.0"
Impedance	4 Ω	4 Ω
High Frequency Transducer		
Type	Compression Driver	Compression Driver
Coil Size (mm / inches)	44.5 mm / 1.75"	44.5 mm / 1.75"
Exit Size (mm / inches)	25 mm / 1"	25 mm / 1"
Diaphragm Material	Titanium	Titanium
Impedance	8 Ω	8 Ω
High Frequency Coverage (H x V)	90° x 60°	90° x 60°
Amplifiers	HF Amp Class AB : LF Amp Class D	HF Amp Class AB : LF Amp Class D
Low-Frequency Power Amplifier	250 w Continuous / 500 w Peak	250 w Continuous / 500 w Peak
High-Frequency Power Amplifier	100 w Continuous / 200 w Peak	100 w Continuous / 200 w Peak
Electronic Crossover		
Crossover Frequency	HI PASS 2.5 kHz LOW PASS 2.5 kHz	HI PASS 2.5 kHz LOW PASS 2.5 kHz
Controls		
Equalization	+/-12 dB Gain for bass and treble	+/-12 dB Gain for bass and treble
Amplifier Protection		
Power On Protection	Power switch on / off mute	Power switch on / off mute
Thermal Protection	Amplifier shutdown, auto reset	Amplifier shutdown, auto reset
Driver, DC and Short Protection	Yes	Yes
Limiter Indicator	Red LED	Red LED
Power Indicator	Green LED	Green LED
Input type	Balanced	Balanced / BT / USB
Input Connectors	2 x TRS JACK, 2 x RCA AND 2 x FEMALE XLR	2 x TRS JACK, 2 x RCA AND 2 x FEMALE XLR
Input Impedance	47 KΩ Balanced	47 KΩ Balanced
Maximum Input Level	5 V	5 V
Line Input Sensitivity	-10 dB	-10 dB
Mic Input Sensitivity	-40 dB	-40 dB
Line Output Connector	MALE XLR	MALE XLR
AC Power details		
Power Supply	SMPS	SMPS
AC Power Options	100 V-120 V and 200 V-240 V	100 V-120 V and 200 V-240 V
Power On Indicator	LED	LED
Rigging / Bracket / Mounting Options	4 x M8 35 mm Pole-mount with lock screw 3 carry handles (one on each side, one on top) Optional wall-mount bracket (WPB-2)	4 x M8 35 mm Pole-mount with lock screw 3 carry handles (one on each side, one on top) Optional wall-mount bracket (WPB-2)
Enclosure		
Enclosure Material	Injection Moulded Polypropylene	Injection Moulded Polypropylene
Colour	black	black
Grille	1.2 mm steel	1.2 mm steel
Dimensions (Unpacked)(mm / inches)		
Height	603 mm / 23.7"	603 mm / 23.7"
Width - Front	377 mm / 14.8"	377 mm / 14.8"
Width - Rear	217 mm / 8.54"	217 mm / 8.54"
Depth	347 mm / 13.7"	347 mm / 13.7"
Dimensions (packed)(mm / inches)		
Height	666 mm / 26.2"	666 mm / 26.2"
Width	430 mm / 16.9"	430 mm / 16.9"
Depth	408 mm / 16.1"	408 mm / 16.1"
Weight		
Net Weight (kg / lbs)	15.0 kg / 33.0 lbs	15.0 kg / 33.0 lbs
Gross Weight (kg / lbs)	17.0 kg / 37.4 lbs	17.0 kg / 37.4 lbs

SPECIFICATIONS



Model Name	Tourus-AX15	Tourus-AX15-MBT
System Type	Active 15" 2-way Bi-Amplified	Active 15" 2-way Bi-Amplified
Frequency Response (+/-3 dB)	50-20 kHz	50-20 kHz
Sensitivity @ 1w / 1 meter	97 dB	97 dB
Maximum SPL (peak @ 1 meter)	130 dB	130 dB
Low Frequency Transducer		
Size (mm / inches)	381 mm / 15"	381 mm / 15"
Coil Size (mm / inches)	50.8 mm / 2.0"	50.8 mm / 2.0"
Impedance	4 Ω	4 Ω
High Frequency Transducer		
Type	Compression Driver	Compression Driver
Coil Size (mm / inches)	44.5 mm / 1.75"	44.5 mm / 1.75"
Exit Size (mm / inches)	25 mm / 1"	25 mm / 1"
Diaphragm Material	Titanium	Titanium
Impedance	8 Ω	8 Ω
High Frequency Coverage (H x V)	90° x 60°	90° x 60°
Amplifiers	HF Amp Class AB : LF Amp Class D	HF Amp Class AB : LF Amp Class D
Low-Frequency Power Amplifier	350 w Continuous / 700 w Peak	350 w Continuous / 700 w Peak
High-Frequency Power Amplifier	100 w Continuous / 200 w Peak	100 w Continuous / 200 w Peak
Electronic Crossover		
Crossover Frequency	HI PASS 2.4 kHz LOW PASS 2.4 kHz	HI PASS 2.4 kHz LOW PASS 2.4 kHz
Controls		
Equalization	+/-12 dB Gain for bass and treble	+/-12 dB Gain for bass and treble
Amplifier Protection		
Power On Protection	Power switch on / off mute	Power switch on / off mute
Thermal Protection	Amplifier shutdown, auto reset	Amplifier shutdown, auto reset
Driver, DC and Short Protection	Yes	Yes
Limiter Indicator	Red LED	Red LED
Power Indicator	Green LED	Green LED
Input type	Balanced	Balanced / BT / USB
Input Connectors	2 x TRS JACK, 2 x RCA AND 2 x FEMALE XLR	2 x TRS JACK, 2 x RCA AND 2 x FEMALE XLR
Input Impedance	47 KΩ Balanced	47 KΩ Balanced
Maximum Input Level	5 V	5 V
Line Input Sensitivity	-10 dB	-10 dB
Mic Input Sensitivity	-40 dB	-40 dB
Line Output Connector	MALE XLR	MALE XLR
AC Power details		
Power Supply	SMPS	SMPS
AC Power Options	100 V-120 V and 200 V-240 V	100 V-120 V and 200 V-240 V
Power On Indicator	LED	LED
Rigging / Bracket / Mounting Options	4 x M8 35 mm Pole-mount with lock screw 3 carry handles (one on each side, one on top) Optional wall-mount bracket (WPB-2)	4 x M8 35 mm Pole-mount with lock screw 3 carry handles (one on each side, one on top) Optional wall-mount bracket (WPB-2)
Enclosure		
Enclosure Material	Injection Moulded Polypropylene	Injection Moulded Polypropylene
Colour	black	black
Grille	1.2 mm steel	1.2 mm steel
Dimensions (Unpacked)(mm / inches)		
Height	693 mm / 27.3"	693 mm / 27.3"
Width - Front	455 mm / 17.9"	455 mm / 17.9"
Width - Rear	262 mm / 10.3"	262 mm / 10.3"
Depth	401.8 mm / 15.1"	401.8 mm / 15.1"
Dimensions (packed)(mm / inches)		
Height	762 mm / 30.0"	762 mm / 30.0"
Width	508 mm / 20.0"	508 mm / 20.0"
Depth	425 mm / 16.7"	425 mm / 16.7"
Weight		
Net Weight (kg / lbs)	19.2 kg / 42.2 lbs	19.2 kg / 42.2 lbs
Gross Weight (kg / lbs)	22.0 kg / 48.4 lbs	22.0 kg / 48.4 lbs

Errors and omissions excepted (E&OE) : Wharfedale Pro : Dec 2020