

# PODMIC

DYNAMIC PODCASTING MICROPHONE

The PodMic is a broadcast quality, dynamic microphone optimised for podcasting. It has a rich, balanced sound, with an internal pop filter to minimise plosives and internal shockmounting to reduce vibration.

The PodMic is optimised for use with the RØDECaster™ Pro integrated podcast production console, but will also offer exceptional results with any high-quality microphone interface.

- Broadcast quality dynamic capsule
- Optimised for speech applications
- Internal pop filter to minimise plosives
- Robust, all metal construction
- Optimised for use with RØDECaster Pro consoles



BROADCAST  
QUALITY



INTERNAL  
POP FILTER



RUGGED BUILD



2  
YEAR  
WARRANTY



## SPECIFICATIONS

Acoustic Principle:	Dynamic
Polar Pattern:	Cardioid
Frequency Range:	50Hz ~13 kHz
Output Impedance:	320Ω
Sensitivity:	-57.0dB re 1 Volt/Pascal (1.60mV @ 94 dB SPL) +/- 2 dB @ 1kHz
Output Connection:	XLR
Phantom Power:	Not required
Material:	Metal (material TBD)
Colour:	Black
Weight:	937g
Product Dimensions (LxWxH, mm):	172 x 109 x 62
Compatible RØDE Accessories:	PSA1
Features list:	Integrated swing arm



Black



White

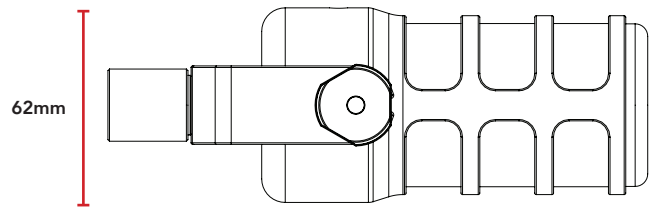
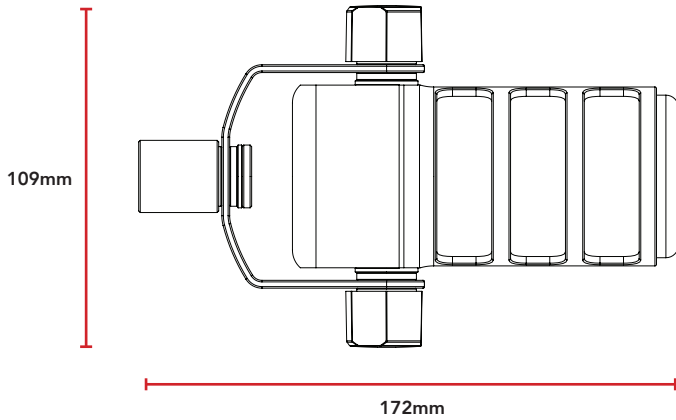
WHATS IN THE BOX



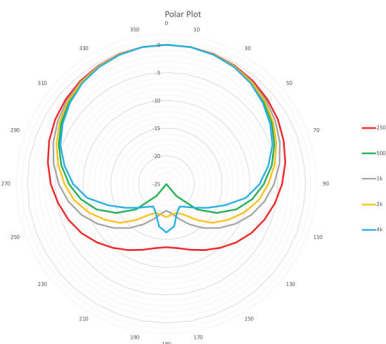
PodMic  
(Black or White)



DIMENSIONS



POLAR PATTERN



FREQUENCY RESPONSE

