



BLX4R

Wireless System

The Shure digital wireless system, BLX4R, user guide.
Version: 7.1 (2024-C)

Table of Contents

BLX4R Wireless System	3	BLX1	13
		BLX2	13
IMPORTANT SAFETY INSTRUCTIONS	3	Batteries	13
Quick Start Guide	4	Locking and Unlocking Controls	14
BLX4R Receiver	5	Transmitter (lock/unlock)	14
Receiver LCD Screen	7	Receiver (lock/unlock)	14
Transmitters	7	Power Off	14
BLX1	7	Wearing the Bodypack Transmitter	14
BLX2	8	Removing and Installing Identification Caps	15
Transmitter LED Indicators	9	Rack-Mounting a Receiver	15
Single System Set Up	9	Troubleshooting	16
Setting Transmitter Group and Channel	10	Accessories	17
Group (letter)	10	Furnished Accessories	18
Channel (number)	10	Optional Accessories	18
Multiple System Set Up	10	Specifications	19
Manually Setting Receiver Group and Channel	11	BLX1	20
Group (letter)	11	BLX2	20
Channel (number)	11	BLX4R	21
Tips to Improve Wireless System Performance	11	Certifications	22
Getting Good Sound	11	BLX1, BLX2, BLX4R	22
Correct Microphone Placement	12	BLX4R	22
Wearing the Headworn Microphone	12	BLXD1, BLXD2	22
Adjusting Gain	12	Information to the user	23

BLX4R Wireless System

IMPORTANT SAFETY INSTRUCTIONS

1. READ these instructions.
2. KEEP these instructions.
3. HEED all warnings.
4. FOLLOW all instructions.
5. DO NOT use this apparatus near water.
6. CLEAN ONLY with dry cloth.
7. DO NOT block any ventilation openings. Allow sufficient distances for adequate ventilation and install in accordance with the manufacturer's instructions.
8. DO NOT install near any heat sources such as open flames, radiators, heat registers, stoves, or other apparatus (including amplifiers) that produce heat. Do not place any open flame sources on the product.
9. DO NOT defeat the safety purpose of the polarized or grounding type plug. A polarized plug has two blades with one wider than the other. A grounding type plug has two blades and a third grounding prong. The wider blade or the third prong are provided for your safety. If the provided plug does not fit into your outlet, consult an electrician for replacement of the obsolete outlet.
10. PROTECT the power cord from being walked on or pinched, particularly at plugs, convenience receptacles, and the point where they exit from the apparatus.
11. ONLY USE attachments/accessories specified by the manufacturer.
12. USE only with a cart, stand, tripod, bracket, or table specified by the manufacturer, or sold with the apparatus. When a cart is used, use caution when moving the cart/apparatus combination to avoid injury from tip-over.



13. UNPLUG this apparatus during lightning storms or when unused for long periods of time.
14. REFER all servicing to qualified service personnel. Servicing is required when the apparatus has been damaged in any way, such as power supply cord or plug is damaged, liquid has been spilled or objects have fallen into the apparatus, the apparatus has been exposed to rain or moisture, does not operate normally, or has been dropped.
15. DO NOT expose the apparatus to dripping and splashing. DO NOT put objects filled with liquids, such as vases, on the apparatus.
16. The MAINS plug or an appliance coupler shall remain readily operable.
17. The airborne noise of the Apparatus does not exceed 70dB (A).
18. Apparatus with CLASS I construction shall be connected to a MAINS socket outlet with a protective earthing connection.
19. To reduce the risk of fire or electric shock, do not expose this apparatus to rain or moisture.
20. Do not attempt to modify this product. Doing so could result in personal injury and/or product failure.
21. Operate this product within its specified operating temperature range.



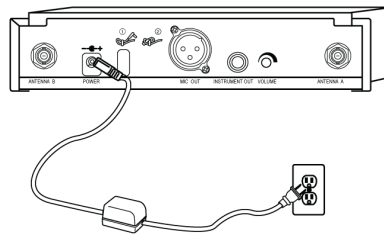
This symbol indicates that dangerous voltage constituting a risk of electric shock is present within this unit.



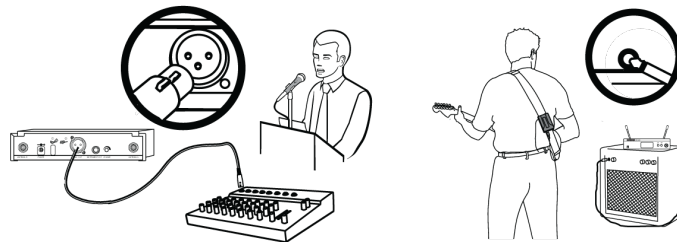
This symbol indicates that there are important operating and maintenance instructions in the literature accompanying this unit.

Quick Start Guide

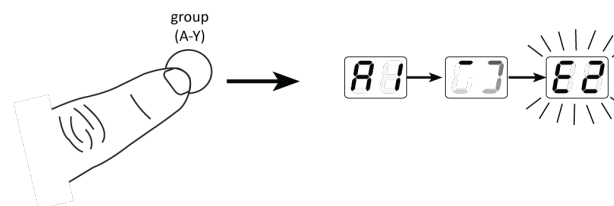
1. Connect receiver to power source.



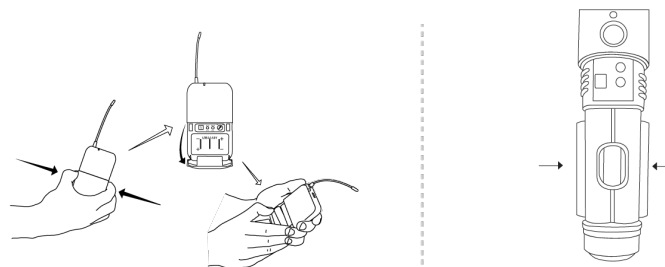
2. Connect receiver to mixer or amplifier. Press the power button to turn on the receiver.



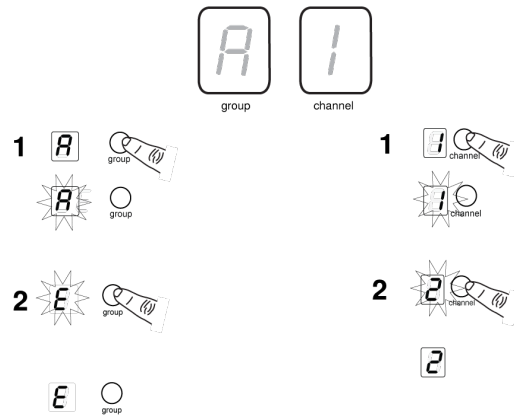
3. Press group button on receiver to perform a group scan.



4. Install batteries and turn on transmitter.

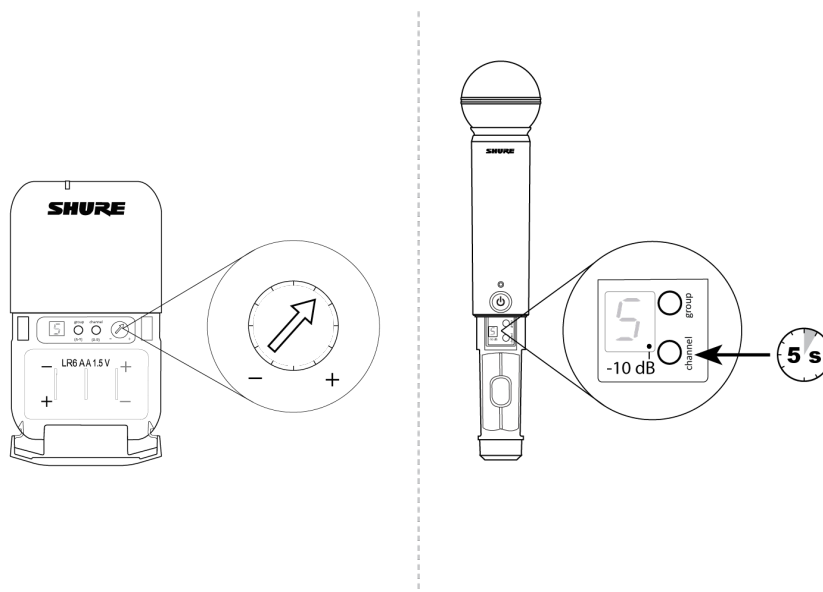


- On the transmitter, set the group and channel to match the receiver. The RF bars and battery LED on the receiver should illuminate.

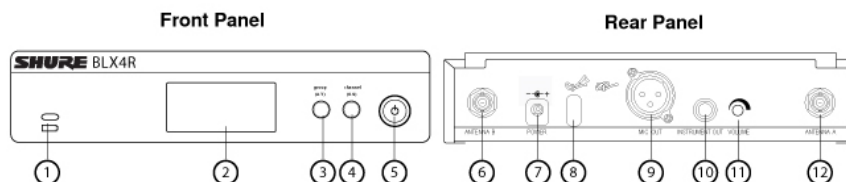


If setting up additional systems, leave the first transmitter and receiver on. For each additional receiver, manually set the group to match the first receiver. Note: The receiver will automatically perform a channel scan to find an available frequency after the group has been selected. Set the transmitter frequency to match the receiver.

- If sound is too faint or distorted, adjust the gain accordingly.



BLX4R Receiver



① Transmitter Battery LED

- Green = Runtime greater than 1 hour
- Red = Runtime less than 1 hour

② LCD Display

Displays receiver and transmitter settings.

③ group Button

- Scan: push and release group button to scan for an open group and channel
- Manual: push and hold group button to select a group.

④ channel Button

- Scan: push and release channel button to scan for an open channel
- Manual: push and hold channel button to select a channel.

⑤ Power Button

Powers the receiver on/off.

⑥ Antenna Jack B

BNC connector for antenna B.

⑦ DC Power Jack

For DC external power supply (12 to 15 V DC).

⑧ Strain-relief loop for power cord

Secures power cord to receiver.

⑨ Mic Out XLR audio output jack

Supplies microphone-level audio output.

⑩ INST Out audio output jack

Supplies instrument-level audio signal.

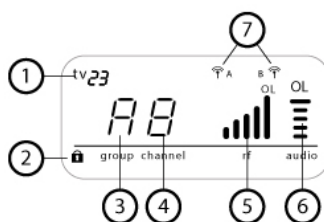
⑪ Volume Control

Use a screwdriver to adjust the output level.

⑫ Antenna Jack A

BNC connector for antenna A.

Receiver LCD Screen



① TV Channel

TV channel for selected frequency.

② Receiver Lock

Indicates control and power lock enabled.

③ Group

Displays selected group.

④ Channel

Displays selected channel.

⑤ RF Signal Strength

Number of bars corresponds to RF signal strength. OL indicates signal overload.

⑥ Audio Meter

Number of bars indicates audio signal level. OL indicates signal clipping.

⑦ Active Antenna Indicator

Indicates active antenna for the diversity signal.

Transmitters

BLX1

① LED Indicator

Displays power and battery status (see table).

② power Switch

Toggles power on or off.

③ 4-Pin Microphone Input Jack (TA4 connector)

④ Antenna

⑤ group Button

Changes group setting.

⑥ LED Display

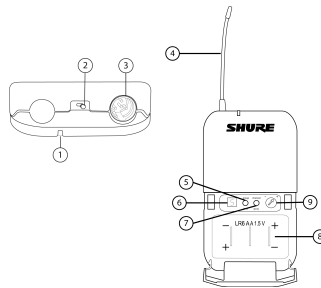
Displays group and channel setting.

⑦ channel Button

Changes channel setting.

⑧ Battery Compartment**⑨ Audio Gain Adjustment**

Rotate to increase or decrease transmitter gain.



BLX2

① LED Indicator

Displays power and battery status (see table).

② power Button

Push to turn power on or off.

③ group Button

Changes group setting.

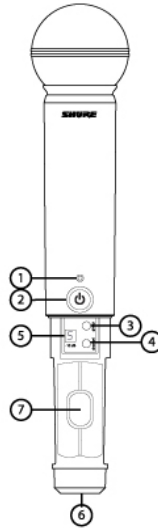
④ channel Button

Changes channel and gain setting.

⑤ LED Display

Displays group and channel setting.

⑥ Identification Cap**⑦ Battery Compartment**

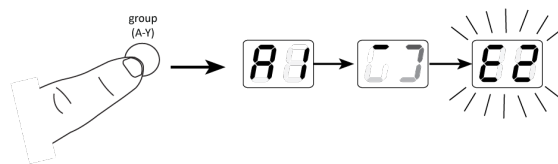


Transmitter LED Indicators

LED Indicator	Status
Green	Ready
Rapidly Flashing Red	Controls locked
Solid Red	Battery power low (less than 1 hour remaining*)
Flashing Red and shuts off	Batteries dead (change batteries to power on transmitter)

*For alkaline batteries only. For rechargeable batteries, solid red means the batteries are dead.

Single System Set Up



Before you begin, turn off all transmitters and turn on any equipment (other microphones or personal monitoring systems) that could cause interference during the performance.

1. Press and release the group button on the receiver.

The receiver scans for the clearest group and channel.

Note: If you want to stop the scan, push the group button again.

- Turn on transmitter and change the group and channel to match the receiver (See Setting Transmitter Group and Channel).

Once the system is set up, perform an audio check and adjust the gain if necessary.

Setting Transmitter Group and Channel

Transmitter group and channel must be manually set to match the receiver.

Group (letter)

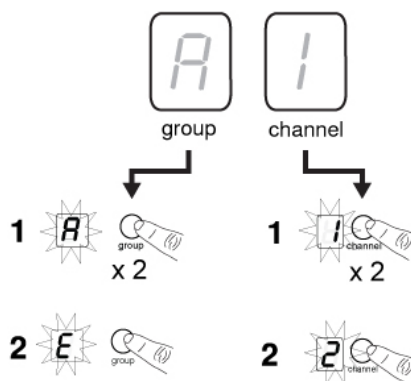
- Press and release the group button on the transmitter to activate the display. Press the group button again and the display flashes.
- While the display is flashing, press the group button again to advance to the desired group setting.

Channel (number)

If channel needs to be changed, follow the same procedure using the channel button instead of the group button.

Note:

- When the group and channel correctly match the receiver, the RF bars and battery LED on the receiver illuminate.
- After manual setup, the transmitter alternately displays the group and channel setting for about two seconds.



Multiple System Set Up

Up to 12 systems can operate simultaneously (band and RF environment dependent).

Important: Set up each system one-at-a-time. Once a receiver and transmitter are tuned to the same group and channel, leave the transmitter powered on. Otherwise, scans from the other receivers will not detect that channel as occupied.

Turn **on** any other equipment that could cause interference during the performance so it will be detected during the group and channel scans in the following steps.

Before you begin system set up, turn all receivers **ON** and all transmitters **OFF**.

For the first receiver:

- Perform a group scan to find the group with the most clear channels.

2. Turn on the first transmitter and change the group and channel to match the receiver.
3. Leave the transmitter on and continue with the additional systems.

Note: If the selected group does not contain enough open channels, manually select group "d" when setting up larger systems.

For each additional receiver:

1. Manually change the receiver to match the group setting of the first receiver. Recall that each time the group setting is changed, a channel scan is automatically done.
2. Turn on the transmitter and change the group and channel to match the receiver.
3. Leave the transmitter on and continue to the next system.
4. Once all receivers are set up, perform an audio check on all microphones.

Manually Setting Receiver Group and Channel

The receiver group may need to be changed as part of a multiple system setup.

Group (letter)

1. Hold the group button on the receiver until the display begins to flash.
2. While the display is flashing, press the group button again to advance to the next group.

Note: Only the group setting will be displayed during the manual setup.

3. Once the desired group is reached, release the group button. The receiver automatically performs a channel scan.

Channel (number)

Always use a channel selected by the channel scan. However, if necessary, the channel can be set manually. Follow the same steps above using the channel button instead of the group button.

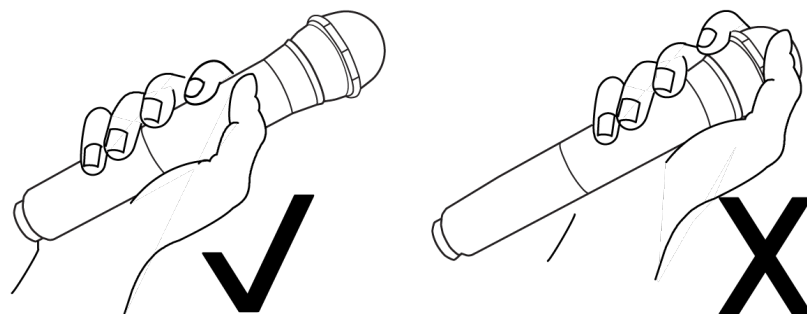
Tips to Improve Wireless System Performance

If you encounter interference or dropouts, try the following suggestions:

- Choose a different receiver channel
- Reposition the receiver so there is nothing obstructing a line of sight to the transmitter (including the audience)
- Avoid placing transmitter and receiver where metal or other dense materials may be present
- Move the receiver to the top of the equipment rack
- Remove nearby sources of wireless interference, such as cell phones, two-way radios, computers, media players, Wi-Fi devices, and digital signal processors
- Charge or replace the transmitter battery
- Keep transmitters more than two meters (6 feet) apart
- Keep the transmitter and receiver more than 5 meters (16 feet) apart
- During sound check, mark trouble spots and ask presenters or performers to avoid those areas

Getting Good Sound

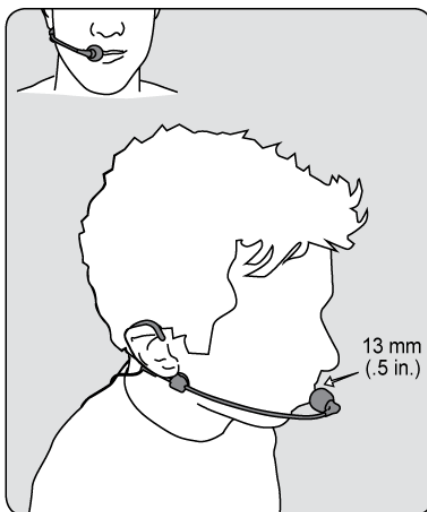
Correct Microphone Placement



- Hold the microphone within 12 inches from the sound source. For a warmer sound with increased bass presence, move the microphone closer.
- Do not cover grille with hand.

Wearing the Headworn Microphone

- Position the headworn microphone 13 mm (1/2 in.) from the corner of your mouth.
- Position lavalier and headworn microphones so that clothing, jewelry, or other items do not bump or rub against the microphone.



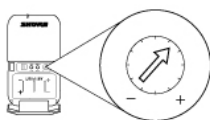
Adjusting Gain

Monitor the audio meter on the receiver display when setting the transmitter gain. The OL indicator should only illuminate infrequently when you speak loudly or play your instrument loudly.

BLX1

Rotate the audio gain adjustment to increase (+) or decrease (-) the gain until desired level is reached.

For instruments, turn gain to minimum setting. For lavaliers, increase the gain as desired.



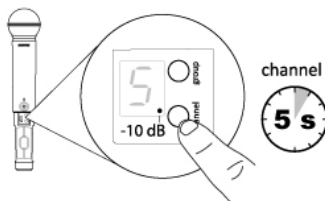
BLX2

The BLX2 features two gain level settings:

- **Default**
- **-10 dB**

Use the default setting for most situations. If the receiver audio OL indicator displays often, set the microphone to -10 dB.

1. To change the gain to -10 dB, hold down the channel button until a small dot appears in the lower right hand corner of the transmitter display.
2. To change the gain back to default, hold the channel button until the dot disappears.



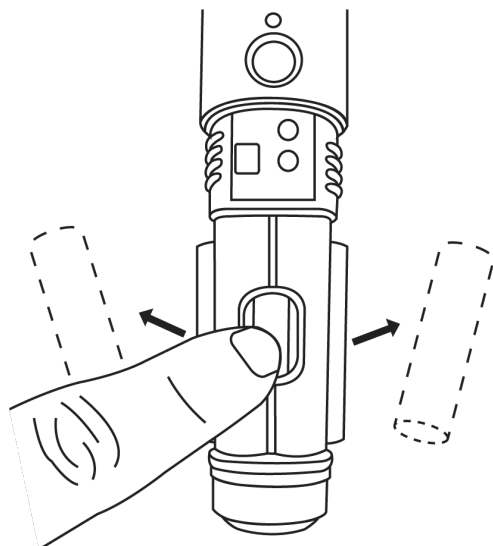
Batteries

Expected life for AA batteries is up to 14 hours (total battery life varies depending upon battery type and manufacturer).

When the LED indicator turns red, it signifies "low battery" with approximately 60 minutes of remaining battery life.

For alkaline batteries only. For rechargeable batteries, solid red means the batteries are dead.

To remove batteries from the handheld transmitter, push them out through the opening in the microphone battery compartment.



WARNING: Danger of explosion if incorrect battery replaced. Operate only with AA batteries.

WARNING: Battery packs shall not be exposed to excessive heat such as sunshine, fire, or the like.

Locking and Unlocking Controls

Lock system controls to prevent accidental setting changes or power-off.

Transmitter (lock/unlock)

Turn the transmitter on. Hold the group button, then press the channel button for approximately 2 seconds. The LED indicator rapidly flashes red when locked.

Receiver (lock/unlock)

Turn the receiver on. Simultaneously hold the group and channel button until the flashing lock icon appears in the lower left-hand corner of the display, indicating the controls are locked. Repeat to unlock the controls.

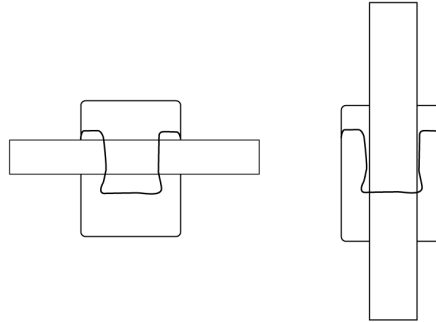
Power Off

Press and hold the power button to power off the BLX2 or BLX4R. To power off the BLX1, slide the power switch to OFF.

Wearing the Bodypack Transmitter

Clip the transmitter to a belt or slide a guitar strap through the transmitter clip as shown.

For best results, the belt should be pressed against the base of the clip.



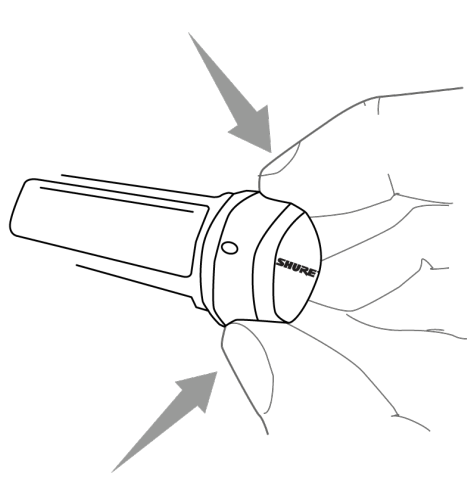
Removing and Installing Identification Caps

The BLX2 is equipped with a black identification cap from the factory (dual vocal systems ship with additional gray cap).

To remove: Remove battery cover. Squeeze sides and pull off cap.

To install: Align the cap and click into place. Replace battery cover.

An Identification Cap Kit containing assorted colored caps is available as an optional accessory.

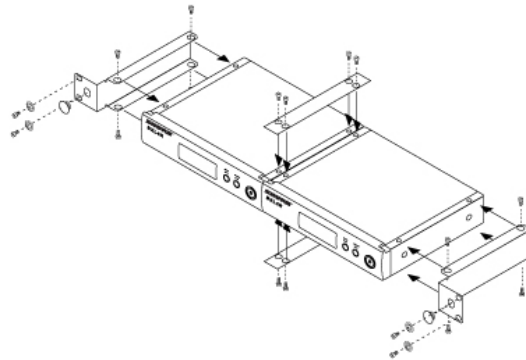
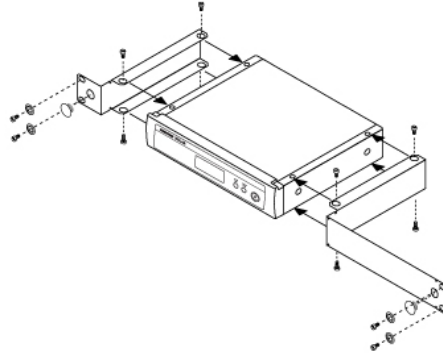
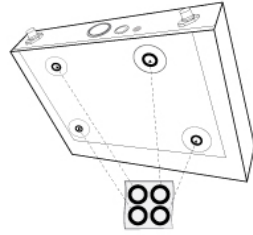


Rack-Mounting a Receiver

Use the supplied mounting hardware to install the receiver in a standard 19" audio equipment rack.



Antenna Connection Diagram



Troubleshooting

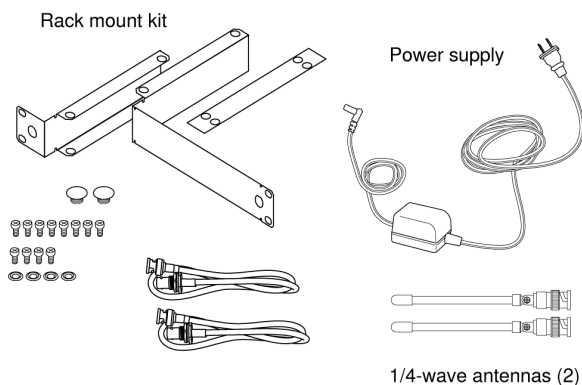
Issue	Indicator Status	Solution
No sound or faint sound	Receiver RF bars and battery LED illuminated	Verify all sound system connections or adjust gain as needed (see Adjusting Gain) Verify that the receiver is connected to mixer/amplifier

Issue	Indicator Status	Solution
	Receiver RF bars and battery LED off	Turn on transmitter Make sure the batteries are installed correctly Perform transmitter setup (see Single System Setup) Insert fresh batteries
	Receiver screen off	Make sure AC adapter is securely plugged into electrical outlet. Make sure receiver is powered on.
	Transmitter indicator LED flashing red	Replace transmitter batteries (see Changing Batteries).
Audio artifacts or dropouts	Receiver RF bars and battery LED flickering	Change receiver and transmitter to a different group and/or channel. Identify nearby sources of RF interference, and shutdown or remove source. Replace transmitter batteries. Ensure that receiver and transmitter are positioned within system parameters System must be set up within recommended range and receiver kept away from metallic surfaces. Transmitter must be used in line of sight from receiver for optimal sound
Distortion	Audio meter on receiver indicates overload (OL)	Reduce transmitter gain (see Adjusting Gain).
Sound level variations when switching to different sources	N/A	Adjust transmitter gain as necessary (see Adjusting Gain).
Receiver/transmitter won't turn off	LED indicator flashing rapidly, lock icon shown on receiver display	See Locking and Unlocking Controls.
Transmitter beyond receiver range	Receiver display dimmed to 50%	Move transmitter closer to receiver



Accessories

Furnished Accessories



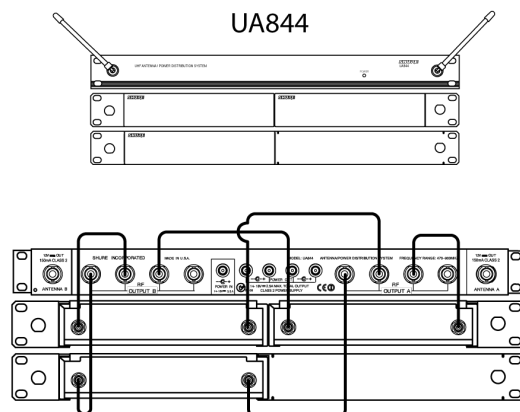
Optional Accessories

Antenna Combiners and Accessories

The following optional accessories are available from Shure. Please visit <http://www.shure.com> for more information.

- Antennas and receivers must be from the same band.
- The supplied 1/4 wave antennas can be used when mounted directly to the UA844. If antennas are remote mounted, 1/2 wave antennas must be used.
- Antennas and cables are for use with antenna distribution systems, and cannot be used with stand-alone receivers

Passive Antenna/Splitter Combiner Kit (recommended for 2 receivers)	UA221
25 ft. BNC-BNC Coaxial Cable	UA825
50 ft. BNC-BNC Coaxial Cable	UA850
100 ft. BNC-BNC Coaxial Cable	UA8100
1/2 Wave Antenna Remote Mount Kit	UA505
UHF Antenna Power Distribution Amplifier (recommended for 3 or more receivers)	UA844
1/2 Wave Omnidirectional Receiver Antenna for improved wireless signal reception	UA8
Single Rack Mount Kit	RPW503
Dual Rack Mount Kit	RPW504



Specifications

System

Working Range

91 m (300 ft) Line of Sight

Note: Actual range depends on RF signal absorption, reflection and interference.

Audio Frequency Response

50 to 15,000 Hz

Note: Dependent on microphone type

Total Harmonic Distortion

Ref. ± 33 kHz deviation with 1 kHz tone

0.5%, typical

Dynamic Range

100 dB, A-weighted, typical

Operating Temperature

-18°C (0°F) to 57°C (135°F)

Note: Battery characteristics may limit this range.

Polarity

Positive pressure on microphone diaphragm (or positive voltage applied to tip of WA302 phone plug) produces positive voltage on pin 2 (with respect to pin 3 of low-impedance output) and the tip of the high impedance 1/4-inch output.

BLX1

BLX1

Audio Input Level

max	-16 dBV maximum
min (0 dB)	+10 dBV maximum

Gain Adjustment Range

26 dB

Input Impedance

1 M Ω

RF Transmitter Output

10 mW, typical

varies by region

Dimensions

4.33 in. X 2.52 in. X 0.83 in. (110 mm X 64 mm X 21 mm) H x W x D

Weight

2.6 oz. (75 g), without batteries

Housing

Molded ABS

Power Requirements

2 LR6 AA batteries, 1.5 V, alkaline

Battery Life

up to 14 hours (alkaline)

BLX2

BLX2

Audio Input Level

0dB	-20 dBV maximum
-10dB	-10 dBV maximum

Gain Adjustment Range

10 dB

RF Transmitter Output

10 mW, typical

varies by region

Dimensions

8.82 in. X 2.09 in. (224 mm X 53 mm) L x Dia.

Weight

7.7 oz. (218 g) without batteries

Housing

Molded ABS

Power Requirements

2 LR6 AA batteries, 1.5 V, alkaline

Battery Life

up to 14 hours (alkaline)

BLX4R

BLX4R

Output Impedance

XLR connector	200 Ω
6.35 mm (1/4") connector	50 Ω

Audio Output Level

Ref. ± 33 kHz deviation with 1 kHz tone

XLR connector	-20.5 dBV (into 100 k Ω load)
6.35 mm (1/4") connector	-13 dBV (into 100 k Ω load)

RF Sensitivity

-105 dBm for 12 dB SINAD, typical

Image Rejection

>50 dB, typical

Dimensions

1.65 in. X 7.80 in. X 6.42 in. (42 mm X 198 mm X 163 mm) H x W x D

Weight

without antennas

2.2 lbs (998 g)

Housing

Molded ABS, steel

Power Requirements

12–15 V DC @ 260 mA, supplied by external power supply (tip positive)

Certifications

BLX1, BLX2, BLX4R

Meets essential requirements of the following European Directives:

- WEEE Directive 2012/19/EU, as amended by 2008/34/EC
- RoHS Directive EU 2015/863

Note: Please follow your regional recycling scheme for batteries and electronic waste

This product meets the Essential Requirements of all relevant European directives and is eligible for CE marking.

CE Notice: Hereby, Shure Incorporated declares that this product with CE Marking has been determined to be in compliance with European Union requirements. The full text of the EU declaration of conformity is available at the following site: <https://www.shure.com/en-EU/support/declarations-of-conformity>.

Authorized European representative:

Shure Europe GmbH
Department: Global Compliance
Jakob-Dieffenbacher-Str. 12
75031 Eppingen, Germany
Phone: +49-7262-92 49 0
Fax: +49-7262-92 49 11 4
Email: EMEAsupport@shure.de

BLX4R

Approved under the Declaration of Conformity (DoC) provision of FCC Part 15.

Industry Canada ICES-003 Compliance Label: CAN ICES-3 (B)/NMB-3(B)

BLXD1, BLXD2

Certified under FCC Part 74.

Certified by ISED in Canada under RSS-123 and RSS-102.

- DD4BLX1A, DD4BLX1B, DD4BLX1C, DD4BLX1D; DD4BLX2A, DD4BLX2B, DD4BLX2C, DD4BLX2D, DD4BLX1W, DD4BLX1S, DD4BLX2W, DD4BLX2S, DD4BLX1H11, DD4BLX2H11, DD4BLX1J11, DD4BLX2J11

Certified by ISED in Canada under RSS-102 and RSS-210.

- 616A-BLX1W, 616A-BLX1S, 616A-BLX2W, 616A-BLX2S

This device contains licence-exempt transmitter(s)/receiver(s) that comply with Innovation, Science and Economic Development Canada's licence-exempt RSS(s). Operation is subject to the following two conditions:

1. This device may not cause interference.
2. This device must accept any interference, including interference that may cause undesired operation of the device.

L'émetteur/récepteur exempt de licence contenu dans le présent appareil est conforme aux CNR d'Innovation, Sciences et Développement économique Canada applicables aux appareils radio exempts de licence. L'exploitation est autorisée aux deux conditions suivantes :

1. L'appareil ne doit pas produire de brouillage;
2. L'appareil doit accepter tout brouillage radioélectrique subi, même si le brouillage est susceptible d'en compromettre le fonctionnement.

Canada Warning for Wireless

This device operates on a no-protection, no-interference basis. Should the user seek to obtain protection from other radio services operating in the same TV bands, a radio licence is required. For further details, consult Innovation, Science and Economic Development Canada's document Client Procedures Circular CPC-2-1-28, Voluntary Licensing of Licence-Exempt Low-Power Radio Apparatus in the TV Bands.

Ce dispositif fonctionne selon un régime de non-brouillage et de non-protection. Si l'utilisateur devait chercher à obtenir une certaine protection contre d'autres services radio fonctionnant dans les mêmes bandes de télévision, une licence radio serait requise. Pour en savoir plus, veuillez consulter la Circulaire des procédures concernant les clients CPC.2.1.28, Délivrance de licences sur une base volontaire pour les appareils radio de faible puissance exempts de licence et exploités dans les bandes de télévision d'Innovation, Sciences et Développement économique Canada.

LICENSING INFORMATION

Licensing: A ministerial license to operate this equipment may be required in certain areas. Consult your national authority for possible requirements. Changes or modifications not expressly approved by Shure Incorporated could void your authority to operate the equipment. Licensing of Shure wireless microphone equipment is the user's responsibility, and licensability depends on the user's classification and application, and on the selected frequency. Shure strongly urges the user to contact the appropriate telecommunications authority concerning proper licensing, and before choosing and ordering frequencies.

Information to the user

This device complies with part 15 of the FCC Rules. Operation is subject to the following two conditions:

1. This device may not cause harmful interference.
2. This device must accept any interference received, including interference that may cause undesired operation.

Note: This equipment has been tested and found to comply with the limits for a Class B digital device, pursuant to part 15 of the FCC Rules. These limits are designed to provide reasonable protection against harmful interference in a residential installation. This equipment generates uses and can radiate radio frequency energy and, if not installed and used in accordance with the instructions, may cause harmful interference to radio communications. However, there is no guarantee that interference will not occur in a particular installation. If this equipment does cause harmful interference to radio or television reception, which can be determined by turning the equipment off and on, the user is encouraged to try to correct the interference by one or more of the following measures:

- Reorient or relocate the receiving antenna.
- Increase the separation between the equipment and the receiver.
- Connect the equipment to an outlet on a circuit different from that to which the receiver is connected.
- Consult the dealer or an experienced radio/TV technician for help.

Note: EMC conformance testing is based on the use of supplied and recommended cable types. The use of other cable types may degrade EMC performance.

Changes or modifications not expressly approved by the manufacturer could void the user's authority to operate the equipment.