



AWC15LF

All-Weather Compact Low-Frequency Speaker with 15" LF

Professional Series

Key Features:

- ▶ Low frequency reinforcement for outdoor applications.
- ▶ Highly weather-resistant IP56 rating.
- ▶ Components:
 - 380 mm (15 in) woofer with Kevlar-reinforced cone and 75 mm (3 in) voice coil.
- ▶ 500 Watt power handling (average continuous pink noise).
- ▶ Frequency range down to 45 Hz.
- ▶ 300 Watt 70V/100V multi-tap transformer or direct 8Ω low-impedance.

Applications:

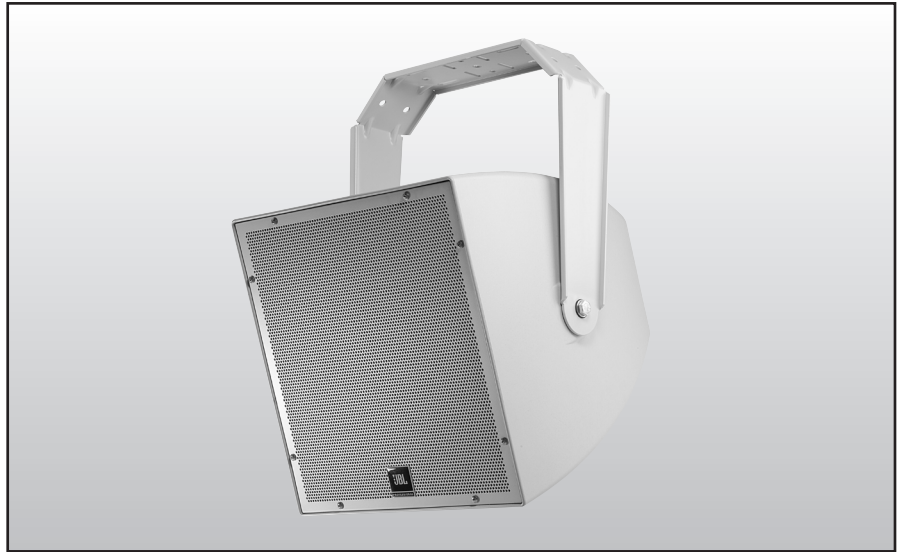
The AWC15LF is a compact highly weather resistant loudspeaker for augmenting the low frequency capability of a sound system. AWC15LF is ideal for many applications, including sports facilities, racetracks, stadiums, fairgrounds, rodeos, skating rinks, themed entertainment venues, water parks, outdoor background music systems, swimming pools, and a wide variety of other outdoor and indoor venue types.

The AWC15LF utilizes a high-power, long-excursion 380 mm (15 in) low frequency driver with Kevlar-reinforced cone for reliability, well-damped surround for smoother frequency response, high temperature 75 mm (3 in) voice coil and a reduced distortion design through saturated-gap magnet geometry.

The paintable enclosure is constructed of thick ABS plus fiberglass and is heavily braced to maximize low-frequency performance. The corrosion-resistant zinc-rich extra-thick powder-coated steel grille is backed with open cell foam and tightweave mesh, providing a high level of protection against water incursion in harsh environments. The system is rated IP-56, per IEC529 when installed at minimum 5° down-tilt.

The AWC15LF is equipped with a 300W 70V/100V multi-tap transformer. Connection is made via outdoor-rated terminals in a recessed terminal cup. A protective terminal compartment cover is included, along with gland nut, which forms a water-tight seal with roundjacketed cable within the specified range of diameters.

A heavy-duty zinc-rich, thick powder coated U-type mounting bracket is included.



Specifications:

System:	
Frequency Range (-10 dB):	45 Hz – 2.2 kHz
Frequency Response (± 3 dB):	70 Hz – 1.2 kHz
Long-Term System Power Rating (IEC):	500 W (2000 W peak), 2 hrs. 350 W (1400 W peak), 100 hrs
Sensitivity (2.83V @ 1m):	94 dB (Ave. 80 Hz – 300 kHz)
Maximum SPL ¹ :	Direct 8Ω: 121 dB (peaks of 127 dB) 300 W Tap: 119 dB (peaks of 125 dB)
Nominal Impedance:	8 ohms
Transformer Taps:	70V: 300W, 150W, 75W, 38W 100V: 300W, 150W, 75W
Transducers:	
Low Frequency Driver:	380 mm (15 in), Kevlar-reinforced cone, with weather treatment, 75 mm (3 in) voice coil, long throw.
Physical:	
Enclosure:	ABS with Glass enclosure, heavily braced
Attachment:	Two M10 (fine-thread) points for included U-bracket. Reference torque 15 ft·lb (20 N·m). M6 secondary safety attachment point on back panel.
Grille:	Corrosion-resistant zinc-rich extra-thick powder coated steel grille, 3-layer assembly with foam and woven poly mesh backing.
Input Connection:	CE-compliant covered barrier strip terminals. Barrier terminals accept up to 8 mm outside 4 mm inside open-lug (#6 or #8) plus bare wire up to 2.5 mm ² (12 AWG) wire or spade lugs. Terminal compartment cover equipped with gland nut that forms water-tight seal with round-jacketed cables with outside diameters between 4.0 mm (0.16") and 9.0 mm (0.36")
Environmental:	IP56 per IEC529, with a minimum 5° downward aiming angle. Exceeds Mil Spec 810 for humidity, salt spray, temperature & UV, and ASTM G85 for acid-air/salt-spray (336 hrs)
Dimensions:	486 x 486 x 479 mm (19.1 x 19.1 x 18.8 in), cabinet 507 mm (19.9 in) depth including gland nut 546 mm (21.5 in) including bracket extending to back
Net Weight:	20.2 kg (44.5 lb), 23 kg (50.5 lb) with U-bracket
Shipping Weight:	27 kg (59.5 lb)
Included Accessories:	U-bracket, matches loudspeaker color (gray or black), zinc-rich extra thick powder coated, steel.

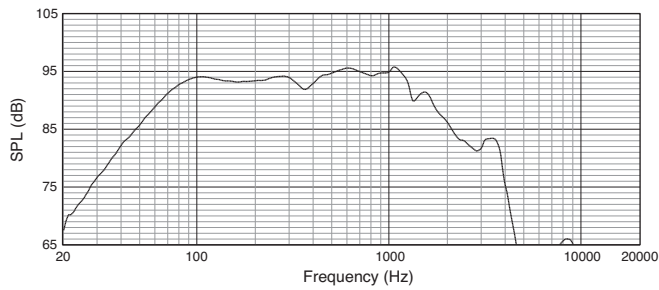
¹ Full-space (free-field)

² AES standard, full bandwidth pink noise with 6 dB crest factor.

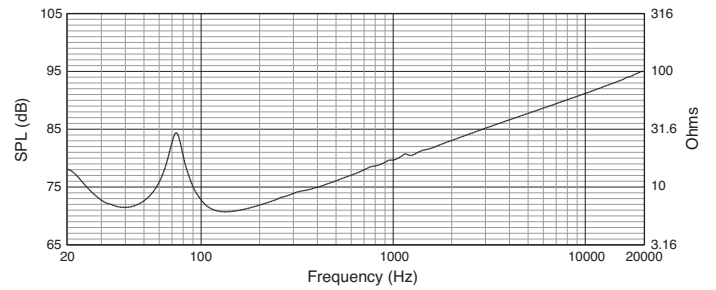
³ Calculated based on power rating and measured full-space sensitivity.

▶ AWC15LF All-Weather Low-Frequency Loudspeaker with 15" LF

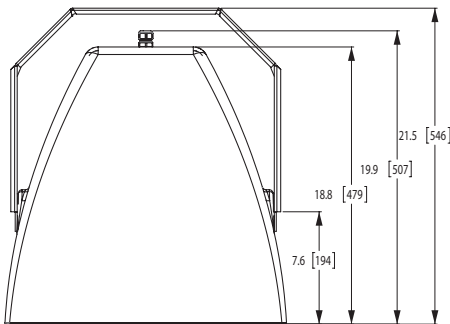
Frequency Response



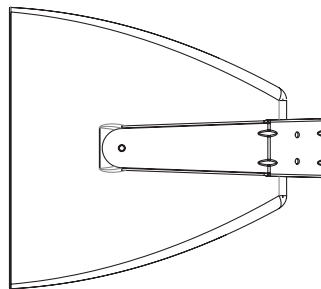
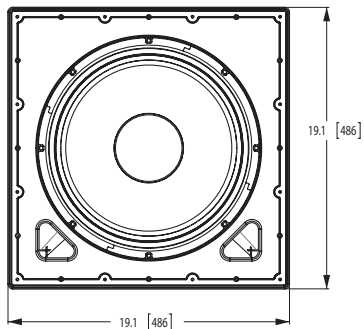
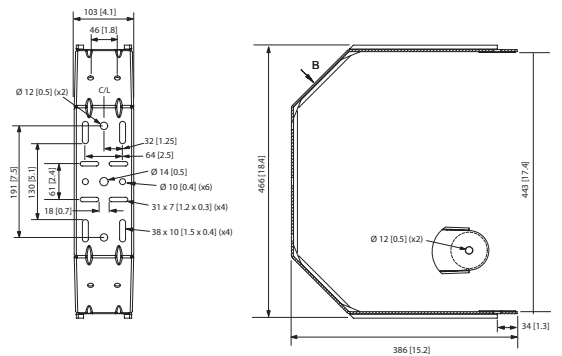
Impedance



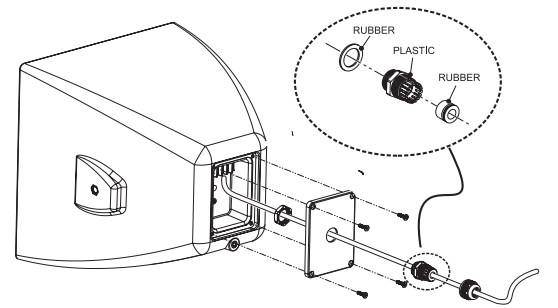
Dimensions



Attaching U-Bracket to Cabinet



Terminal Compartment



Gland nut for round jacketed cable between 4.0mm (0.16") and 9.0mm (0.36") O.D.

Dimensions in IN" [mm]



JBL Professional
 8500 Balboa Boulevard, P.O. Box 2200
 Northridge, California 91329 U.S.A.
 © Copyright 2024 JBL Professional
 www.jblpro.com

SS AWC15LF
 04/2024